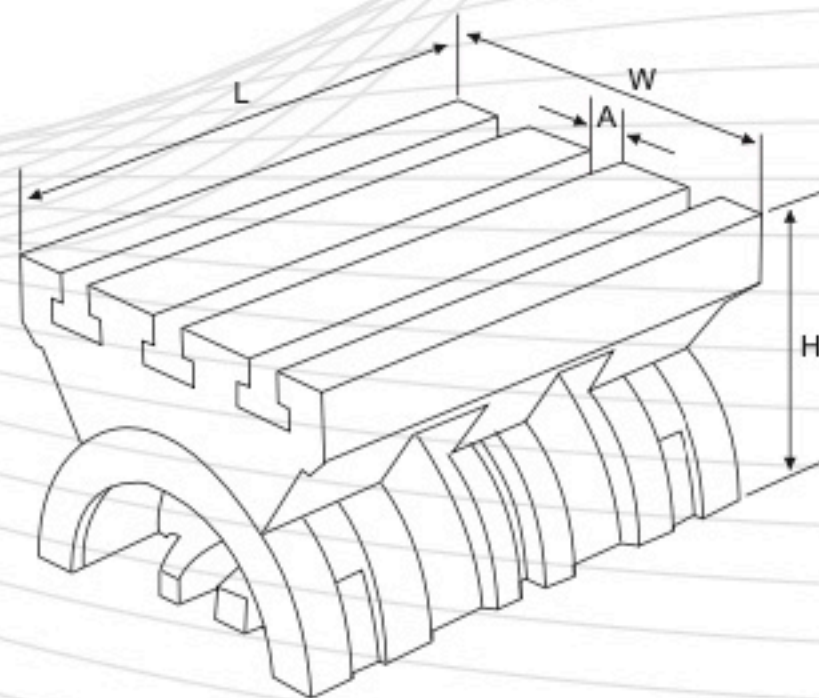
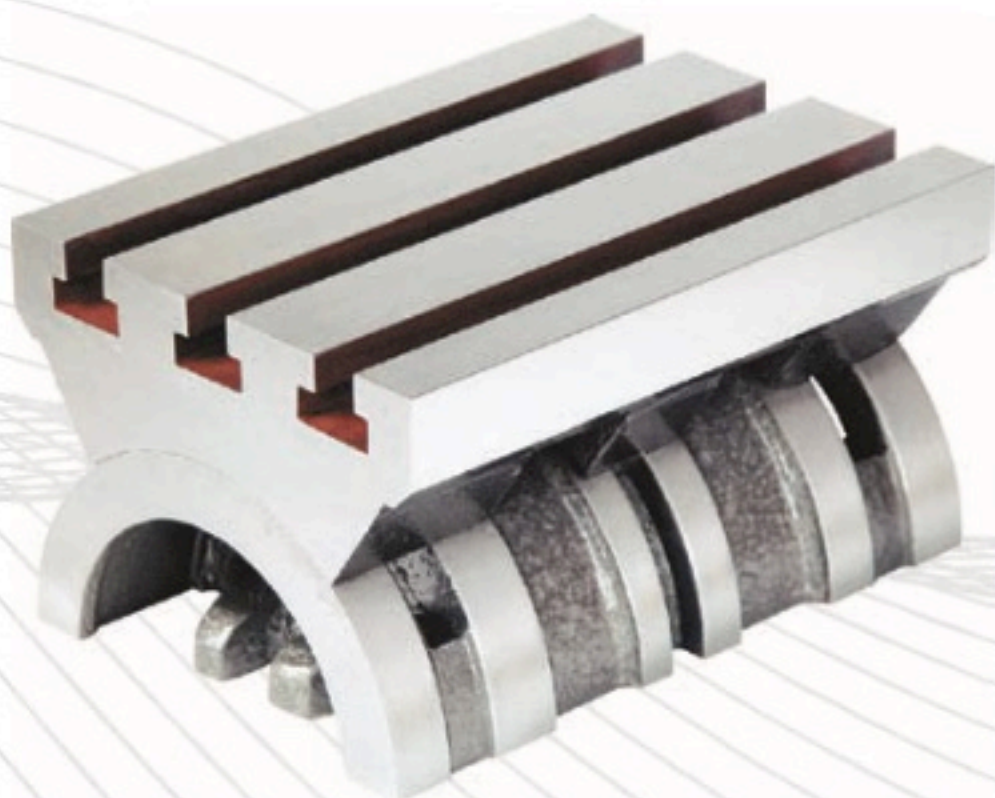


Our cast iron tilting table is a very useful accessory for setting work at an angle for milling or other operations.

T slots are machined along the length of the table and can swing upto 45° on either side. A degree scale for setting purposes with a minimum one degree reading is graduated on the end face of cylindrical base itself. This ensures better setting accuracy. The table can be set manually to the required tilt and is locked in the set position by means of two locking clamps held through bolts.

Made From close grained cast iron , stress relieved. Table top and base are flat and parallel within 0.05 mm per 300 mm.



TECHNICAL DATA

Ordering No.	Size of Tables		Height		No. of T Slot	T. Bolt Size	Net Weight Kgs.
	Inch	mm	Inch	mm		mm	
110300	5 x 7	125 x 175	3.3/4	95	3	M-10	7.5
110301	4 x 5	100 x 125	3.3/6	80	3	M-8	4
110305	7 x 10	175 x 250	5	125	3	M-10	16.5
110310	10 x 15	250 x 380	6	150	3	M-12	36