

CUSTOM-MADE
SUPPLY SPECIAL SIZES ACCORDING
TO CUSTOMER'S REQUEST



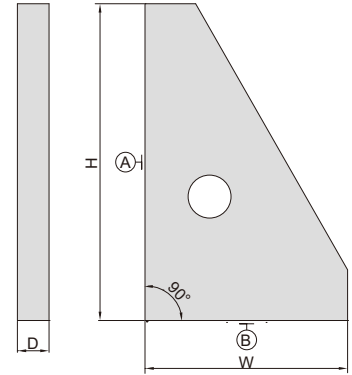
4141-250



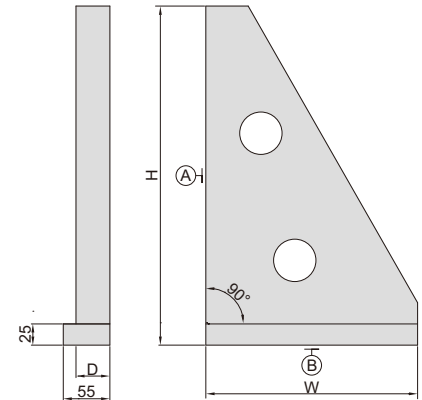
4141-400B

GRANITE SQUARES

Unit: mm



type A



type B

Code	Size (HxW)	Type	Flatness of A	Flatness of B	Squareness of A to B	D
4141-250	250x160mm	A	1 μ m	1 μ m	2 μ m	25mm
4141-400	400x250mm	A	1.5 μ m	1 μ m	3 μ m	40mm
4141-630	630x400mm	A	2 μ m	1.5 μ m	4 μ m	63mm
4141-400B	400x250mm	B	1.5 μ m	1 μ m	3 μ m	40mm