

5C Collet System

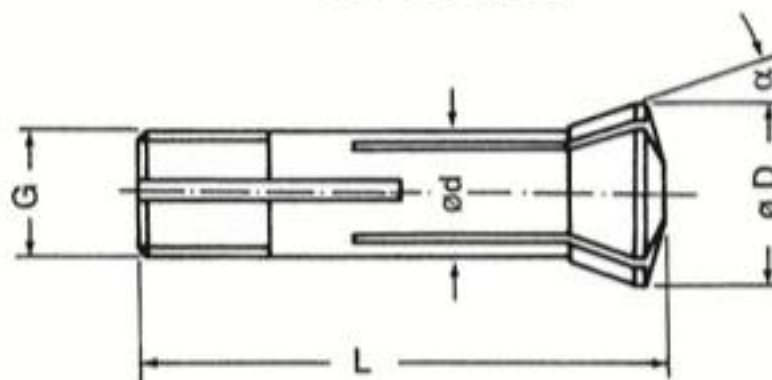
5C RANGE



mm



5C Collet



- L:87 ■ D:37.5 ■ G:31.75 ■ Accuracy: ±0.02mm
- α:10° ■ WEIGHT:0.21KGS ■ Hardness: HRC47°

ORDER NO.	Q'TY	RANGE SIZE
5C-□	1 PC	Ø 3, 4, 5, 6, 7, 8, 9, 10, 11, 12, 13, 14, 15, 16, 17, 18, 19, 20, 21, 22, 23, 24, 25MM
5C-□	1 PC	Ø 1/8", 3/16", 1/4", 5/16", 3/8", 7/16", 1/2", 9/16", 5/8", 11/16", 3/4", 13/16", 7/8", 15/16", 1"

COMPLETE SET AVAILABLE SIZE

ORDER NO.	Q'TY	RANGE SIZE	PACKING	WEIGHT KGS	CODE NO.
VE-102	7PCS	6, 8, 10, 12, 16, 20, 25	CARTON	1.5	3205-100
VE-102I	7PCS	1/4", 5/16", 3/8", 1/2", 5/8", 3/4", 1"	CARTON	1.5	3205-101



EMERGENCY TYPE SOFT COLLET

ORDER NO.	MATERIAL	kgs	CODE NO.
VE-5CS	STEEL		3205-201
VE-5CB	BRASS	0.35	3205-202
VE-5CN	NYLON		3205-203

● CAN BE MACHINED FOR INSIDE HOLE

ORDER NO.	Ø d	CODE NO.
5C-3	3	3205-001
5C-4	4	3205-002
5C-5	5	3205-003
5C-6	6	3205-004
5C-7	7	3205-005
5C-8	8	3205-006
5C-9	9	3205-007
5C-10	10	3205-008
5C-11	11	3205-009
5C-12	12	3205-010
5C-13	13	3205-011
5C-14	14	3205-012
5C-15	15	3205-013
5C-16	16	3205-014
5C-17	17	3205-015
5C-18	18	3205-016
5C-19	19	3205-017
5C-20	20	3205-018
5C-21	21	3205-019
5C-22	22	3205-020
5C-23	23	3205-021
5C-24	24	3205-022
5C-25	25	3205-023

inch

ORDER NO.	Ø d	CODE NO.
5C-1/8	1/8"	3205-024
5C-3/16	3/16"	3205-025
5C-1/4	1/4"	3205-026
5C-5/16	5/16"	3205-027
5C-3/8	3/8"	3205-028
5C-7/16	7/16"	3205-029
5C-1/2	1/2"	3205-030
5C-9/16	9/16"	3205-031
5C-5/8	5/8"	3205-032
5C-11/16	11/16"	3205-033
5C-3/4	3/4"	3205-034
5C-13/16	13/16"	3205-035
5C-7/8	7/8"	3205-036
5C-15/16	15/16"	3205-037
5C-1	1"	3205-038