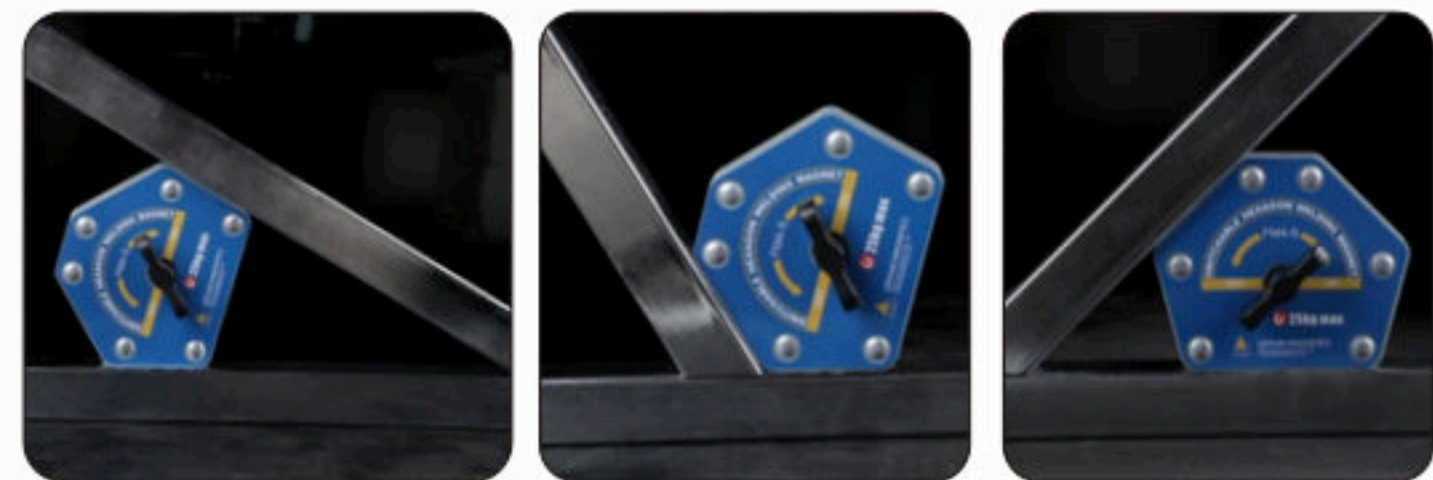
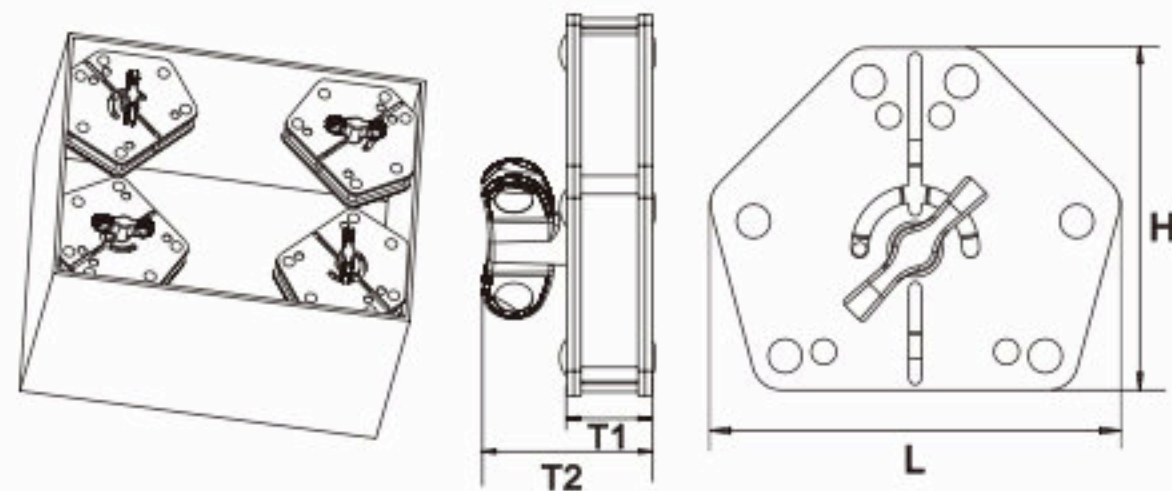


SWITCHABLE HEXAGON WELDING MAGNET

FM4

Application: Can be used for welding, soldering, pipe installation, assembly, magnetic pick-up tool etc.

- Features:
1. With On/Off switch, easy and safe to set up.
 2. Strong ferrite magnet encased in durable steel casing and reinforced with rivets.
 3. Multi-angle design can be used at 30, 45, 60, 75, 90 or 105 degrees.



Model	Dimension (mm)				Angles	(kg) Net Weight	(kg) Pull Off Force
	L	H	T1	T2			
FM4-S	96	80	18	36	30°/45°/60°	0.5	15-20
FM4-M	123	103	21	39	75°/90°/105°	1.0	30-40