

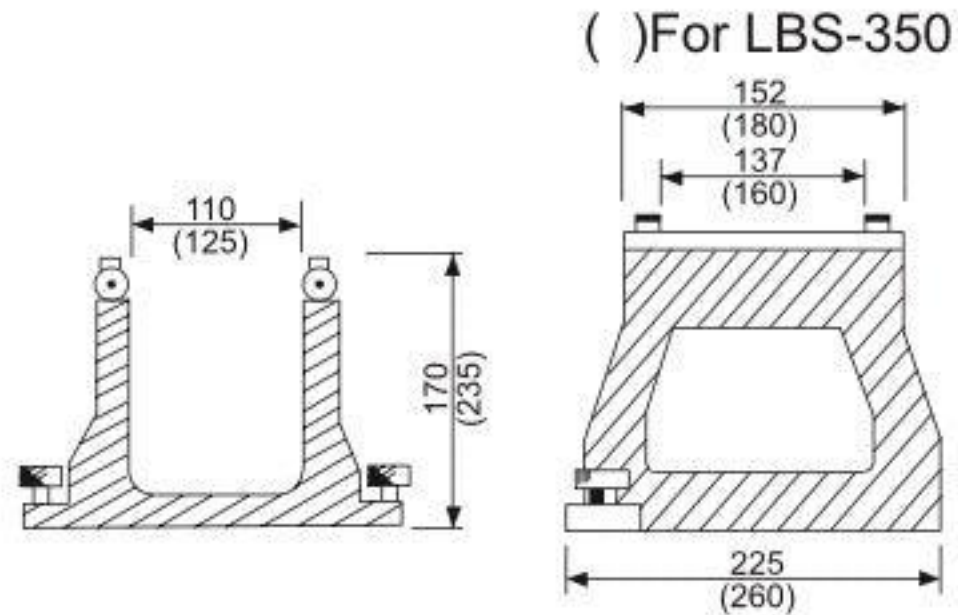


# Level Balancing Stand



**ORDER NO.LBS-100**  
**CODE NO.2014-010**  
**WEIGHT:8.8 kgs**

**ORDER NO.LBS-350**  
**CODE NO.2014-011**  
**WEIGHT:15.1 kgs**



This machine encloses minute leveling instrument.

The adjustment of horizontal enable rapidly and accurately.

**MAX.WHEEL DIAMETER ALLOWED**  
**Ø200 mm, Ø350 mm**