

3127-4



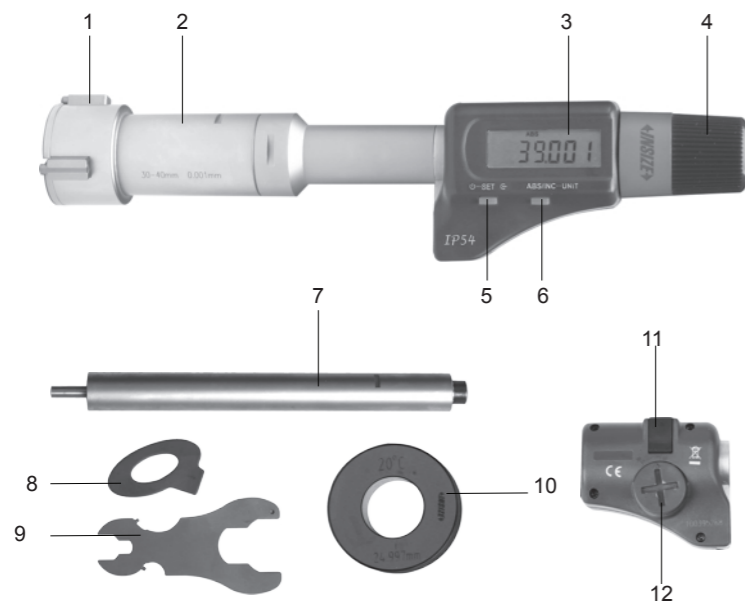
Code	Range	Accuracy	Setting ring
3127-2	2-2.5mm	4μm	Φ2.5mm
3127-3	2.5-3mm	4μm	Φ2.5mm
3127-4	3-4mm	4μm	Φ4mm
3127-5	4-5mm	4μm	Φ5mm
3127-6	5-6mm	4μm	Φ6mm

3127-12



Code	Range	Accuracy	Setting ring
3127-8	6-8mm	4μm	Φ6mm
3127-10	8-10mm	4μm	Φ8mm
3127-12	10-12mm	4μm	Φ8mm

3127-40



- 1-Measuring jaws
- 2-Measuring head
- 3-LCD display
- 4-Ratchet stop
- 5-"ON/OFF SET G" button
- 6-"ABS/INC UNIT" button
- 7-Extension rod(except 3127-2 to 3127-6)
- 8-Spanner 1
- 9-Spanner 2(3127-8 to 3127-100 have two spanners)
- 10-Setting ring
- 11-Data output
- 12-Battery cover

- The micrometer is dust/waterproof IP54. Dust or splashing water from any direction shall have no harmful effect.
- Install battery:
  - Turn the battery cover 45° counterclockwise with the spanner 1 (fig.1), then remove it
  - Put SR44 or LR44 battery into battery house, the positive side of battery (+) should face out (fig.2)
  - Put the battery cover back and turn clockwise 45° to fix it (fig.3)



fig.1



fig.2



fig.3

- Buttons:
  - ON/OFF SET G ---short press(<2 sec.): power on/off
  - long press(>2 sec.) this button to enter into initial reading set mode, 'SET' blinks on the display. Keep pressing it to position the digit, the digit blinks when positioned. Release the button if you want to set the digit. Short press the button to change the digit from 1 to 9. Keep pressing the button to the next digit. After setting, keep pressing it until 'SET' blinks, short press it to exit set mode.
  - Connect the SPC cable, then short press the button 'G' appears and data output.

ABS/INC UNIT---short press(< 2 sec.): for absolute and relative measuring mode conversion. The normal mode is absolute measuring mode, 'ABS' is on display. Press the button to enter relative measuring mode at any point (this point is called 'relative zero point'), 'INC' appears and the reading is zero. In this mode, the reading is the distance to the 'relative zero point'. Press the button again to return back to absolute measuring mode.

---long press(>2 sec.): for metric and inch conversion

- Before measurement, clean the measuring faces and setting ring face with soft cloth, then start to do micrometer calibration. Micrometer measures setting ring. If result is equal to the normal value of setting ring, micrometer is ready to measure, otherwise long press 'ON/OFF SET G' to enter into initial reading mode (set the initial value as the normal value of setting ring before leaving factory). Micrometer is ready to measure after setting the micrometer as the normal value of setting ring, if doing calibration with other size setting ring, set the initial value as the normal value of setting ring (refer to the instructions of 'ON/OFF..SET G' button), do calibration as the same before.
- During measurement, rotate ratchet stop to make sure measuring jaws' diameter less than the hole's. Put micrometer into measured hole vertically, and then rotate ratchet stop, shake micrometer gently to make sure measuring jaws to contact hole fully. Now you can get result until you hear click. When finishing, rotate ratchet stop to return back measuring jaws firstly, take micrometer out of the hole vertically.
 

Caution: When the measuring faces is close, but not in contact with the piece, do not apply excessive force to rotate the ratchet stop, as it will lead to inaccurate results and may damage the internal precision threads.
- Install extension rod to measure deep hole. Use spanner 2 to separate measuring head from main stem, install extension rod between measuring head and main stem, and use spanner to tight it (fig.4). Caution: Don't hold the micrometer head by hand.

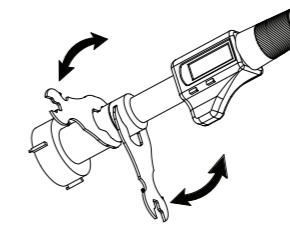


fig.4

- When measuring jaws are closed completely, please do not rotate ratchet stop any more, or may damage internal part of micrometer.
- Optional SPC cabel (series 7306, code 7302-SPC2C, code 7305-SPC3A).
- Automatic power off in about 5 minutes. Press any button (except data output key) or rotate friction thimble to turn on micrometer.
- One battery can last for one year use. If there is nothing on display or digits blurring, battery voltage is too low, please replace battery. If digits do not change when buttons are pressed or friction thimble is rotated, take out battery and put it back after 1 minute. Remove battery if micrometer is not be used for a long period of time, otherwise, liquid may leak from the battery and damage the micrometer.
- Working temperature is 0-40°C/32-104°F.