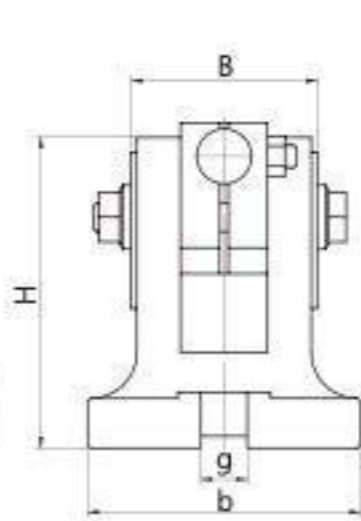


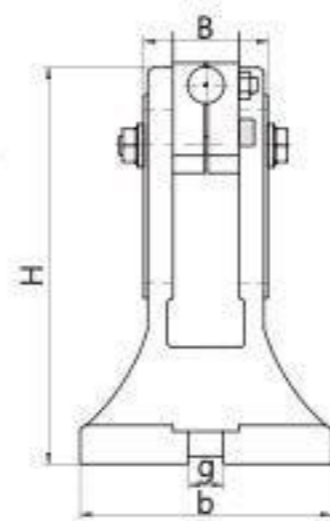
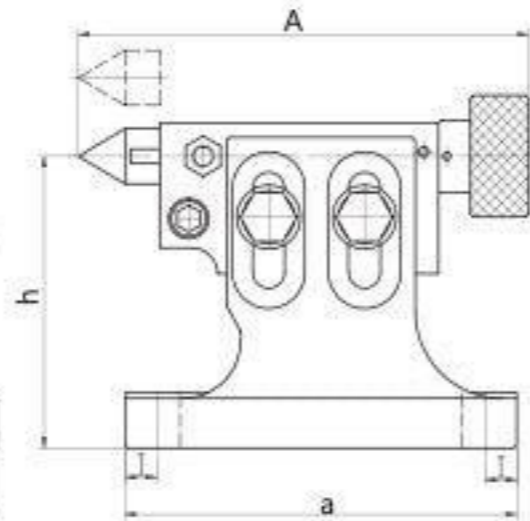
## B. TAILSTOCK



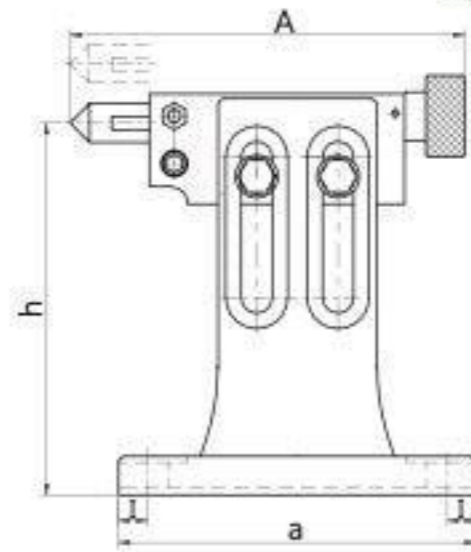
TS-1



TS-1



TS-2~TS-4



TS-3

## Tailstock

Unit:mm

ORDER NO.	adjustable(h)		A	B	H	I	a	b	g	SUIT FOR MODEL	G.W. kgs	Meas. CFT	CODE NO.
	highest	lowest											
TS-1	108	80	155-180	64	107	11	134	94	16	HV-4, HV-6, VSI-4, VSI-5, BS-0, VUT-6, VU-100, VU-150	3.9	0.4	1001-022
TS-2	150	115	170-195	64	150	11	155	110	16	BS-1, CC-6 CS-6, HV-8	5.5	0.4	1001-023
TS-3	205	130	210-235	64	205	13	185	138	16	CS-8, HV-10, HV-12, CC-8, VUT-10, VUT-12, VU-200	8.1	0.4	1001-024
TS-4	260	182	210-235	75	260	17	205	144	16	HV-14, CC-12, HV-16	11.9	0.7	1001-025