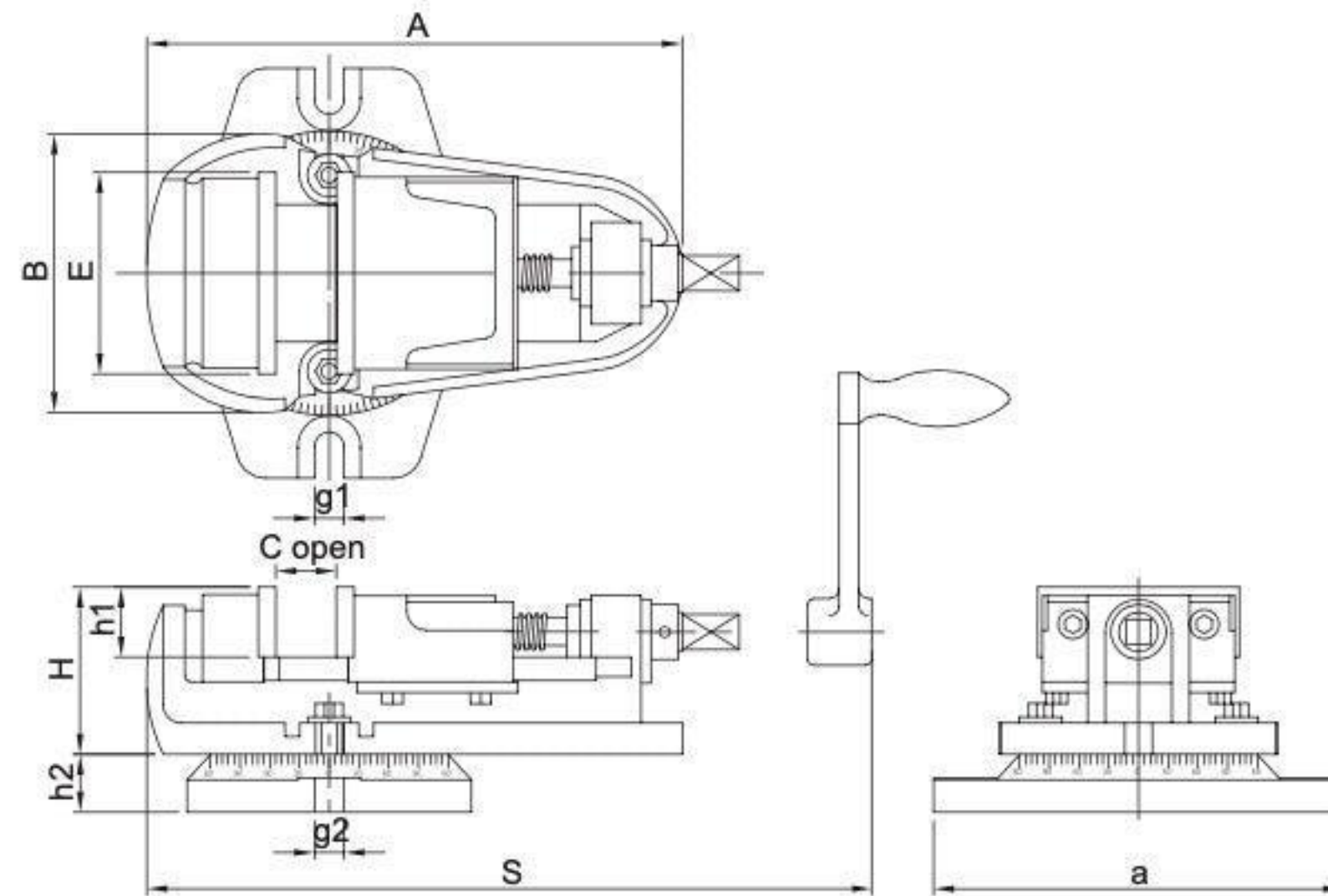
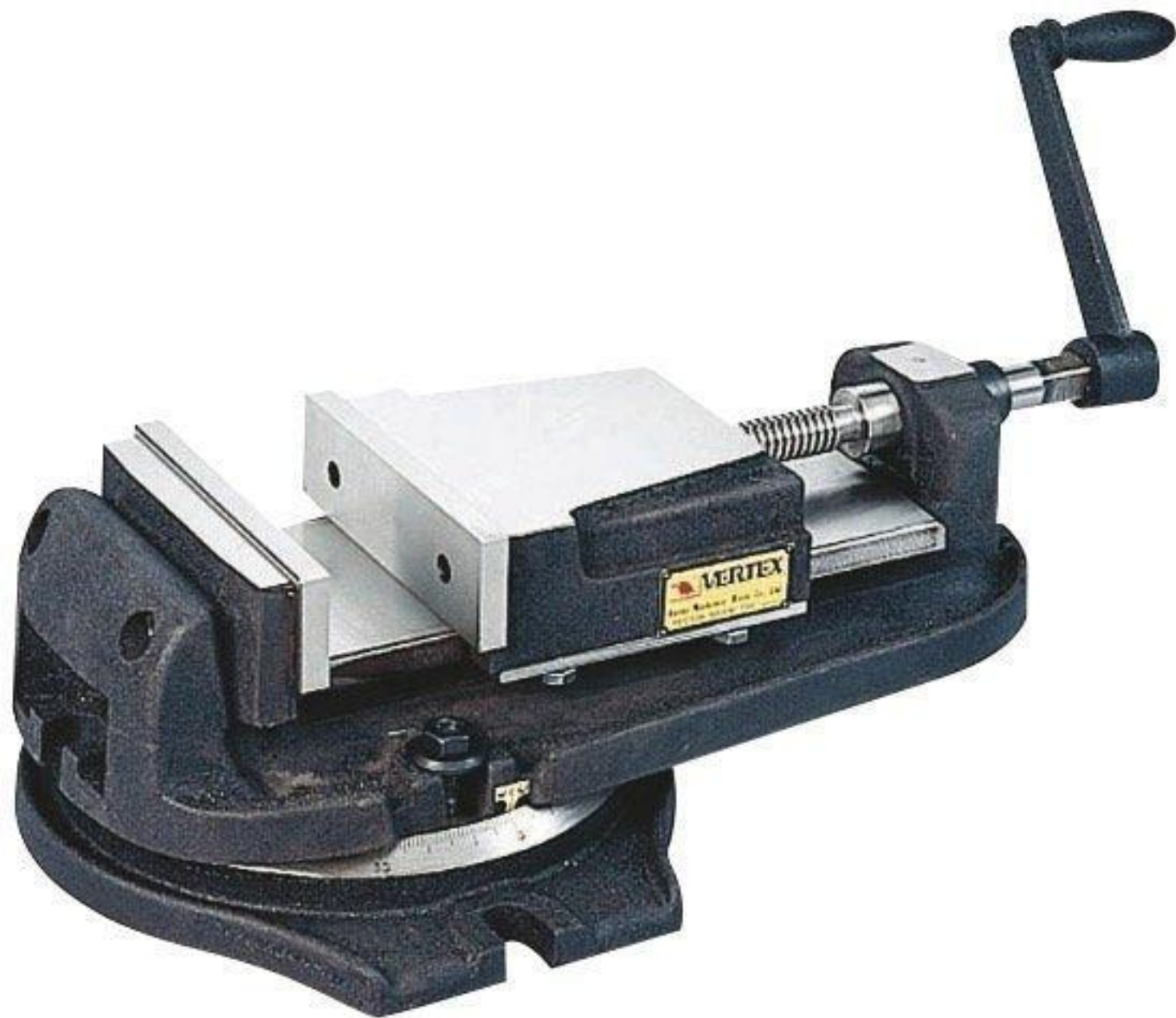
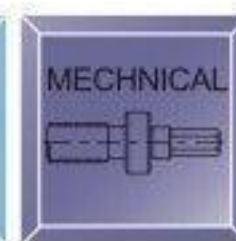
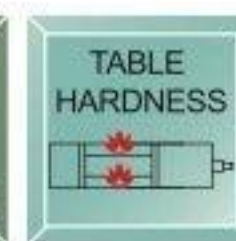


B-Type Milling Vise



- A wider bottom to increase clamping force.
- Groove device to collect cutting oil.
- Full 360° swivel base with line, accurate graduation.
- In order to ensure the accuracy when using it' better that don't put swivel base together



ORDER NO.	A	B	E	H	C OPEN	S	a	h1	h2	g1	g2	Max. Clamp Force (kgf)	G.W. kgs	CODE NO.
VBV-4	270	140	100	79	65	305	212	33	28	12	12	900	13	1002-280
VBV-5	350	180	125	96	100	410	280	37	35	15	15	900	21.5	1002-281
VBV-6	452	218	160	103	132	483	317	48	40	16	16	1000	41	1002-282