

# Magnifying Fluorescent Work Light Beam VERTEX®

WITH 5X LENSE

• IP20

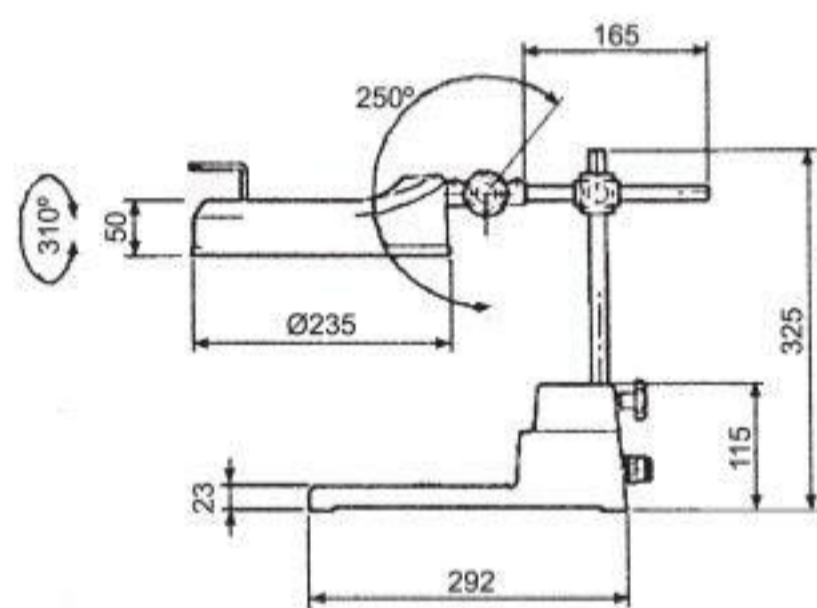


**NEW** NEW MODEL LED LAMP TYPE



LED

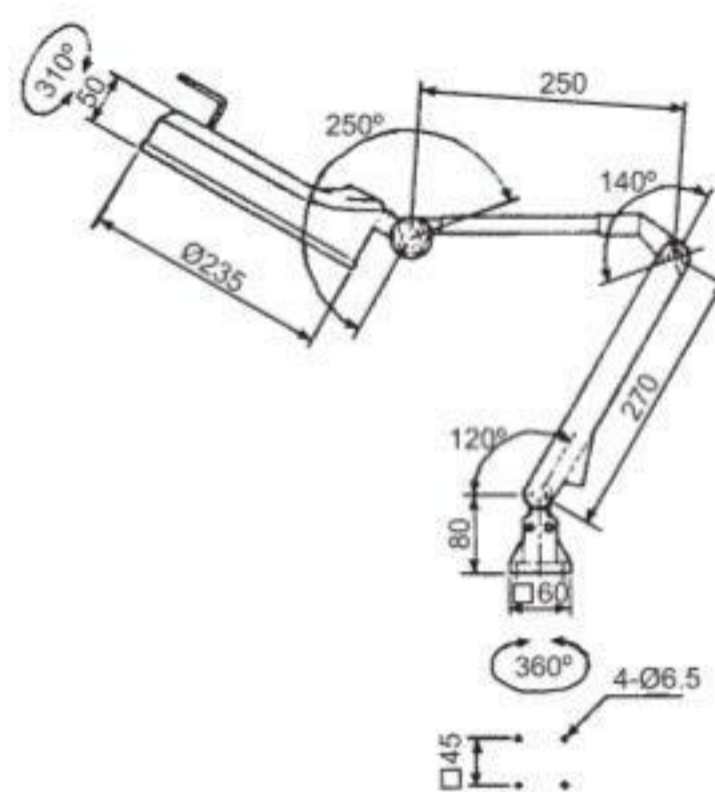
VHL-30TLED  
BENCH TYPE



VHL-30TLED BENCH TYPE



VHL-30MLED

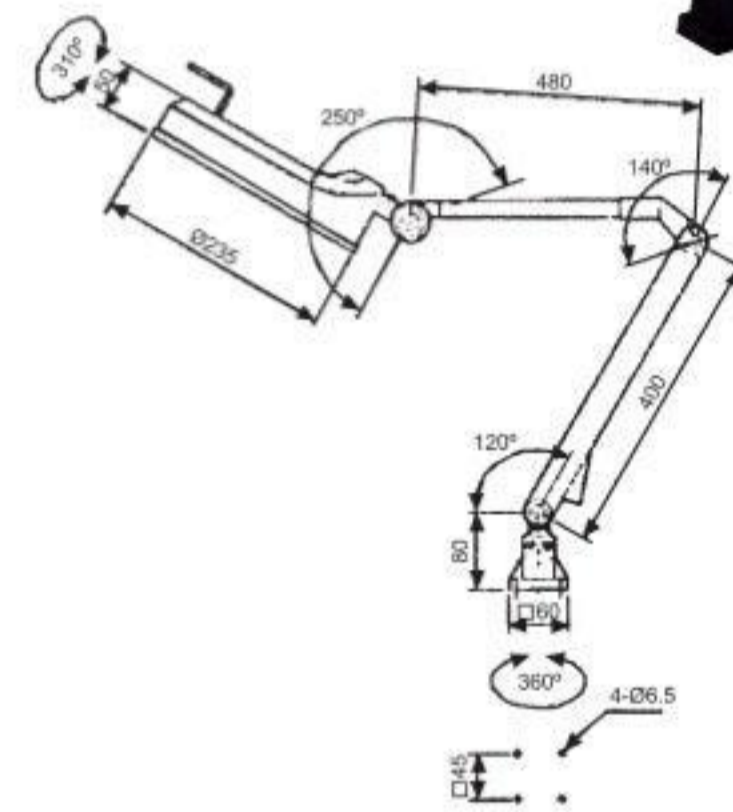


VHL-30MLED MEDIUM ARM



3 Diopter auxiliary lens  
(optional)

VHL-30LLED



VHL-30LLED LONG ARM

LAMP BEAM

## VHL-30TLED

- Bench type model.
- Constructed with a wide base for placing object, allowing it especially suited for inspection lighting.
- Electronic ballast is built in arm.
- Accepts 10 watt fluorescent tube.
- ※ 110V, or 220V operation. Supplied single voltage only. Specify desired voltage when ordering.
- Furnished with 1.8 meter cord with plug. Extended cord length is available when required.

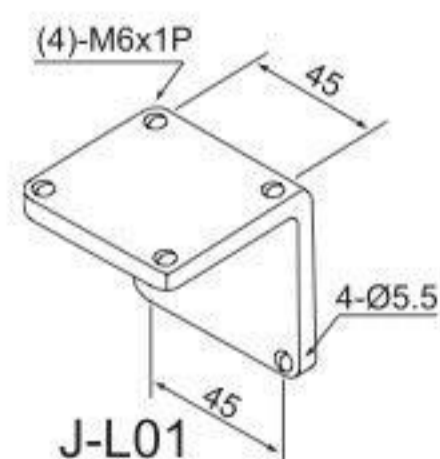
Designed with a magnifier lense on luminaire head giving 5 Diopter of magnification 2.25x than actual object. The fluorescent lighting provides day light effect without flash.

## •OPTIONAL•

ORDER NO. VHL-3X  
3 Diopter magnifier lense=1.75X

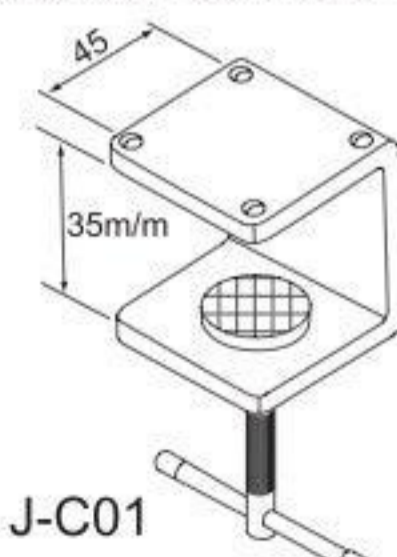


## •OPTION



J-L01  
MOUNTING ANGLE  
PLATE

## •STANDARD ACC.



J-C01  
MOUNTING CLAMP

## VHL-30 MLED

- Medium arm model.
- Electronic ballast is built in arm.
- Accepts 10 watt fluorescent tube.
- 110V, or 220V operation. Supplied single voltage only. specify desired voltage when ordering.
- Furnished with 1.8 meter cord with plug. Extended cord length is available when required.

## VHL-30 LLED

- Long arm model.
- Electronic ballast is built in arm.
- Accepts 10 watt fluorescent tube.
- 110V, or 220V operation. Supplied single voltage only. Specify desired voltage when ordering.
- Furnished with 1.8 meter cord with plug. Extended cord length is available when required.

| ORDER NO.  | WEIGHT (kg) | CODE NO.  |
|------------|-------------|-----------|
| VHL-30TLED | 3.5         | 1025-060A |
| VHL-30MLED | 2.9         | 1025-062A |
| VHL-30LLED | 2.9         | 1025-063A |
| J-L01      | 0.6         | 1025-014  |
| VHL-3X     | 0.3         | 1025-065  |

- All VHL-XXXLED work lights are with 5 Diopter magnifier lense, The MAX.=5+3=8 Diopter