



# Magnifying Fluorescent Work Light Beam



WITH 5X LENSE

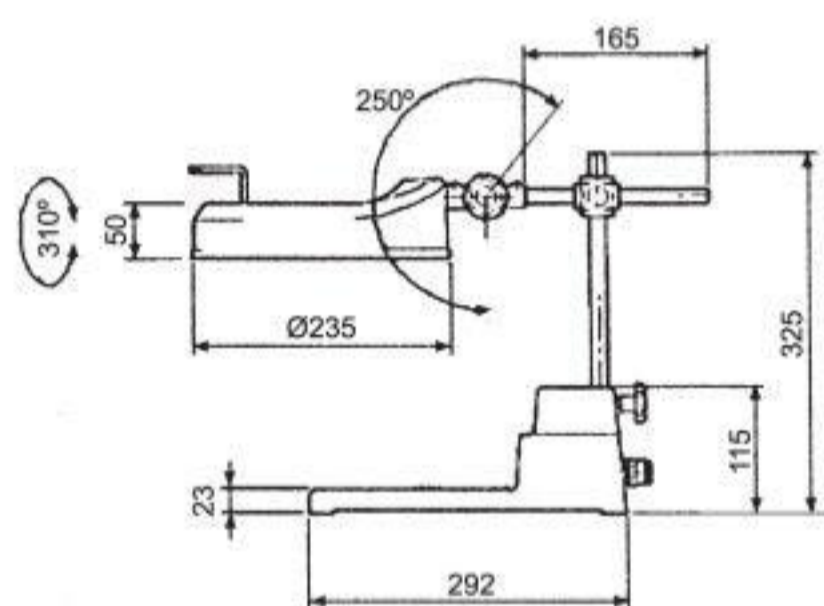
• IP20



**NEW** NEW MODEL LED LAMP TYPE



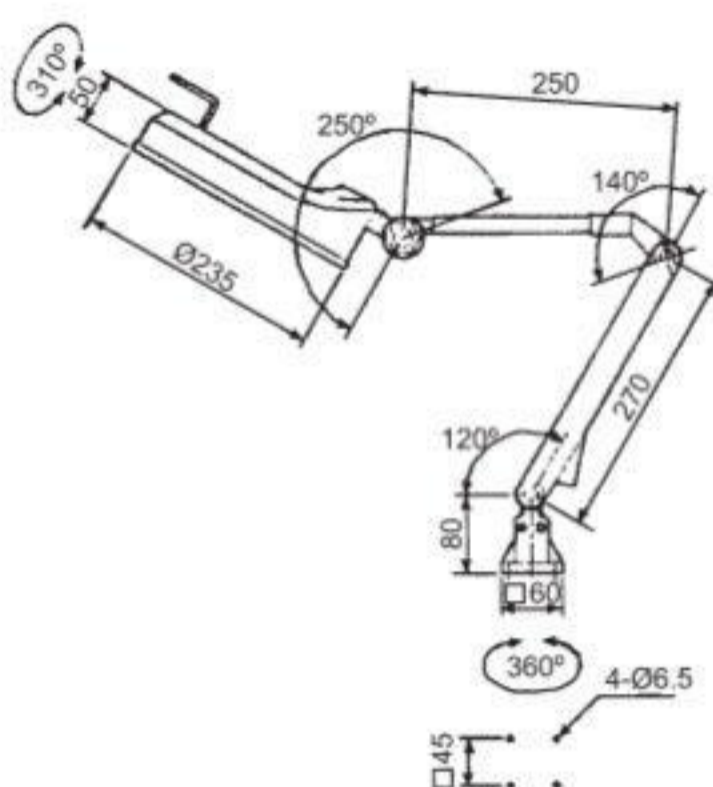
VHL-30TLED  
BENCH TYPE



VHL-30TLED BENCH TYPE



VHL-30MLED

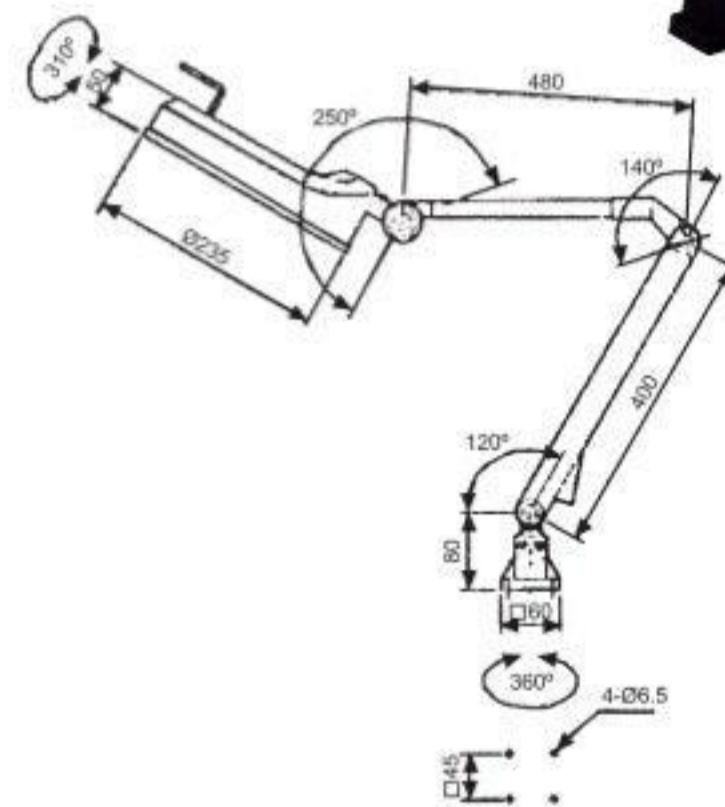


VHL-30MLED MEDIUM ARM



3 Diopter auxiliary lens  
(optional)

VHL-30LLED



VHL-30LLED LONG ARM

LAMP BEAM

## VHL-30TLED

- Bench type model.
- Constructed with a wide base for placing object, allowing it especially suited for inspection lighting.
- Electronic ballast is built in arm.
- Accepts 10 watt fluorescent tube.
- ※ 110V, or 220V operation. Supplied single voltage only. Specify desired voltage when ordering.
- Furnished with 1.8 meter cord with plug. Extended cord length is available when required.

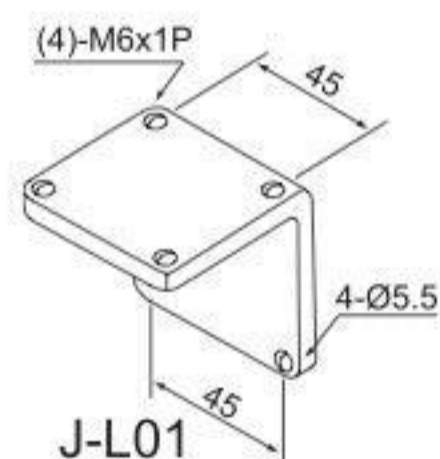
Designed with a magnifier lense on luminaire head giving 5 Diopter of magnification 2.25x than actual object. The fluorescent lighting provides day light effect without flash.

## •OPTIONAL•

ORDER NO. VHL-3X  
3 Diopter magnifier lense=1.75X

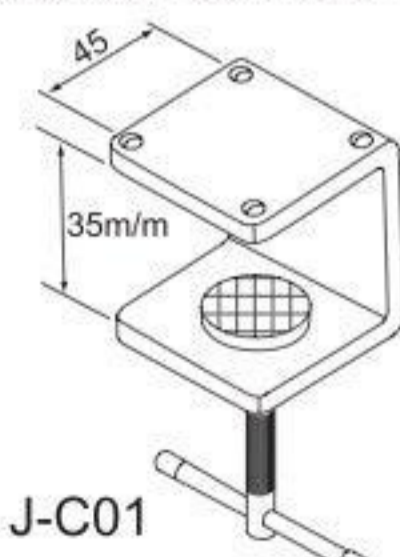


## •OPTION



J-L01  
MOUNTING ANGLE  
PLATE

## •STANDARD ACC.



J-C01  
MOUNTING CLAMP

## VHL-30 MLED

- Medium arm model.
- Electronic ballast is built in arm.
- Accepts 10 watt fluorescent tube.
- 110V, or 220V operation. Supplied single voltage only. specify desired voltage when ordering.
- Furnished with 1.8 meter cord with plug. Extended cord length is available when required.

## VHL-30 LLED

- Long arm model.
- Electronic ballast is built in arm.
- Accepts 10 watt fluorescent tube.
- 110V, or 220V operation. Supplied single voltage only. Specify desired voltage when ordering.
- Furnished with 1.8 meter cord with plug. Extended cord length is available when required.

ORDER NO.	WEIGHT (kg)	CODE NO.
VHL-30TLED	3.5	1025-060A
VHL-30MLED	2.9	1025-062A
VHL-30LLED	2.9	1025-063A
J-L01	0.6	1025-014
VHL-3X	0.3	1025-065

- All VHL-XXXLED work lights are with 5 Diopter magnifier lense, The MAX.=5+3=8 Diopter