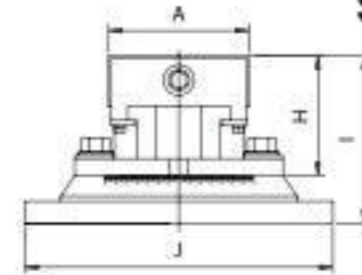
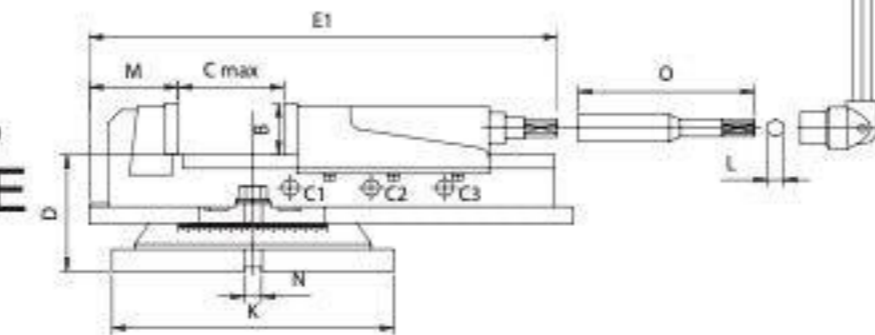
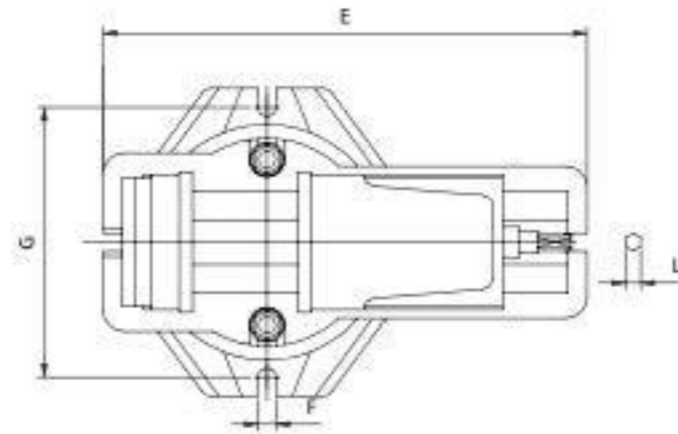




Super Open Vise

MECHANICAL TYPE



- VJ-400 JAW OPENED 185mm
- VJ-500 JAW OPENED 245mm
- VJ-600 JAW OPENED 305mm

● In order to ensure the accuracy when using it' better that don't put swivel base together



VJ-600

EXCEPT THE HYDRAULIC SYSTEM,
THE FEATURE IS SAME AS VH-TYPE
ACCURACY WITHIN 0.02mm

Order No. & Dimensions

ORDER NO.	A	B	C max	Opening Size For Capacity			D	E	E1	F	G	H	I	J	K	L	M	N	O	Max. Clamp Force (kgf)	G.W. (kgs)	CFT (cm)	CODE NO.
				C1	C2	C3																	
VJ-400	110	38	185	0-65	52-129	116-185	97	386	516	15	240	96	135	270	238	14.5	90	16	156	1500	25	46x26x16	1002-050
VJ-500	132	48	245	0-78	70-158	150-245	110	455	580	17	255	113	158	290	265	19	85	16	166	1500	34	48x28x18	1002-051
VJ-600	154	56	305	0-111	97-211	197-305	118	546	722	17	255	131	175	290	265	19	111	16	200	1500	46	57x30x22	1002-052