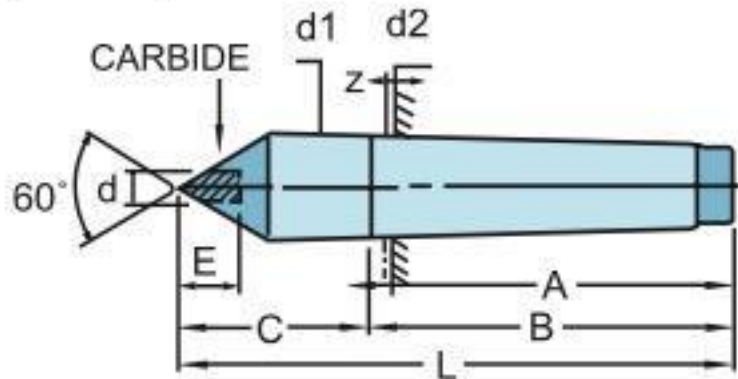




Lathe Center

- K20 Carbide tipped-HRC 70°
- Hardened & precision ground.
- Concentricity within.0002"(0.005mm)
- DIN806



※Suggested tailstock pressure under 6 kg/cm²

Unit:mm

ORDER NO.	SIZE	A	B	C	E	L	d2	d1	d	Weight (kgs)	CODE NO.
VLC-112	MT-2	69	67	31	8	100	17.780	18.0	6	0.2	5001-090
VLC-113	MT-3	89	81	39	10	125	23.825	24.1	8	0.4	5001-091
VLC-114	MT-4	109	102.5	46	14	155	31.267	31.6	10	0.8	5001-092
VLC-115	MT-5	136	129.5	64	18	200	44.399	44.7	14	2.1	5001-093
VLC-116	MT-6	190	182	80	30	270	63.648	63.8	18	5.7	5001-094