



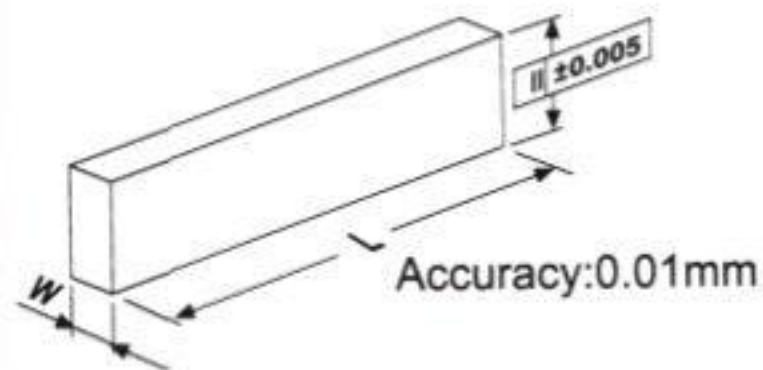
Ground Parallels

ORDER NO.VP-118A CODE NO.1004-010

8.5mm WIDTH, 5.8kgs



- Hardness: HRC 48°-53°
MADE OF HIGH GRADE
ALLOY STEEL
HARDENED AND
GROUND.
- Dimension: 290x228x80mm



Unit:mm

WxHxLxPcs	
8.5x14x150x2	8.5x32x150x2
8.5x16x150x2	8.5x36x150x2
8.5x20x150x2	8.5x40x150x2
8.5x24x150x2	8.5x44x150x2
8.5x30x150x2	