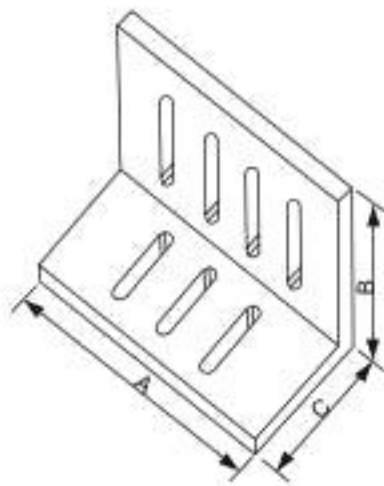




Slotted Angle Plate

VR-45



VR-100

- Many size also stocked with precision ground finish.
- Made of high tensile cast iron properly seasoned against distortion.
Open end style accurately machined square and parallel on all faces.

ORDER NO.	Approx Dimensions			APPROX WEIGHT (kgs)	CODE NO.
	A	B	C		
VR-45	4-1/2"	3-1/2"	3"	1.3	1013-020
VR-60	6"	5"	4-1/2"	3.2	1013-021
VR-80	8"	6"	5"	7.4	1013-022
VR-100	10"	8"	6"	12	1013-023
VR-120	12"	9"	8"	19.4	1013-024