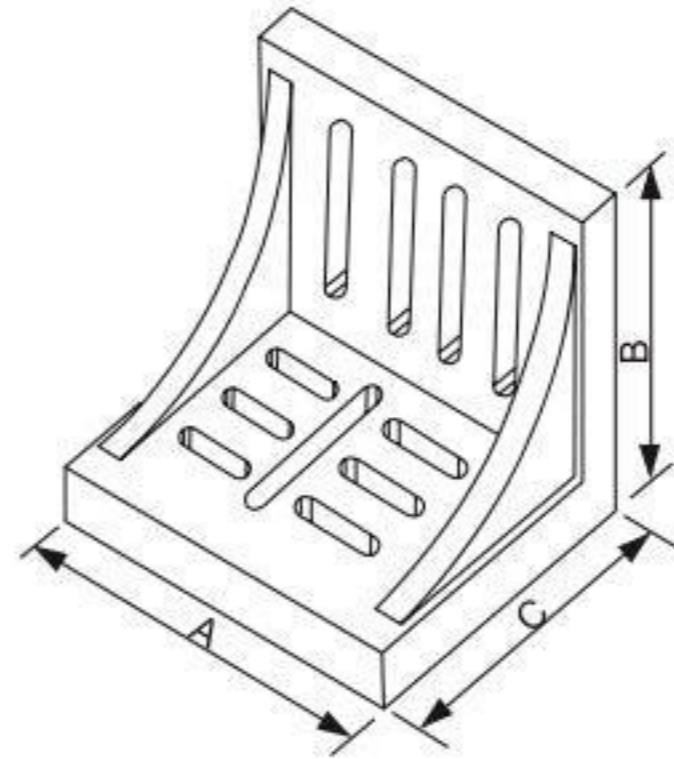




Right Angle Plate



- Made of high tensile cast iron
 - Webbed style accurately grounded, square and parallel on outside faces and ends within 0.01mm per 100mm
- Unit:mm

ORDER NO.	Approx Dimensions			WEIGHT (kgs)	CODE NO.
	A	B	C		
VR-6	150	126	115	3.8	1013-010
VR-8	202	150	126	7.4	1013-011
VR-10	250	202	126	12.1	1013-012
VR-12	300	228	202	23.7	1013-013