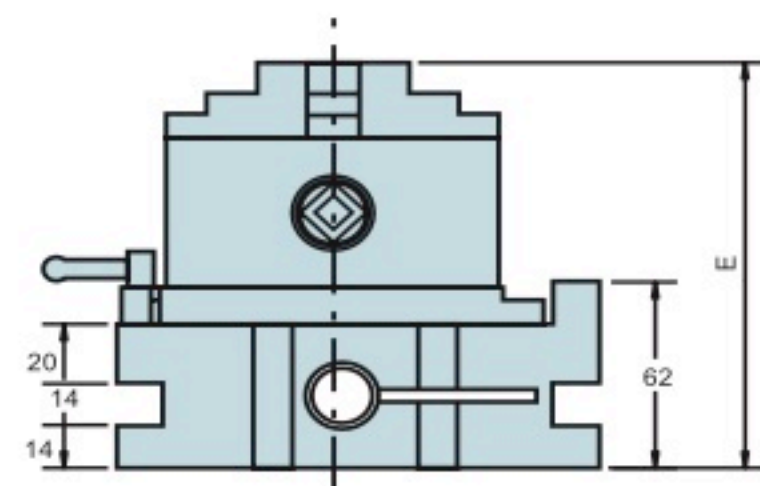
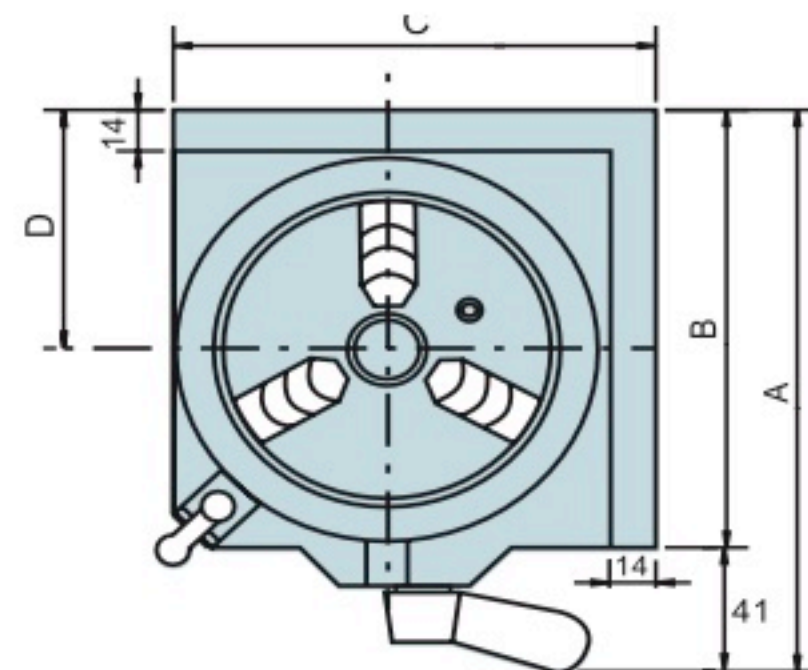


COLLET INDEXER NON ECONOMICAL



- 3 JAW CHUCK VSC-3A for VSI-3 / VSC-4A for VSI-4 / VSC-5A for VSI-5, the big range clamping capacity $\varnothing 3 - \varnothing 100$, it's better than collet fixing type.
- Simple & rapid operation.
- Dividual number 24-notch (15° each)
- Table scale 1° , for angular indexing.
- Table bore 30mm.
- Horizontal / vertical & 2 direction
- Suit for milling & drilling machine using.
- Optional: tailstock TS-1, Please see page A2

ORDER NO.	A	B	C	D	E	Through Hole	kgs	CODE NO.
VSI-3	120	94	117	47	116	$\varnothing 25$	7.5	1001-064A
VSI-4	187	146	146	80	135	$\varnothing 30$	10.5	1001-064
VSI-5	202	161	161	87	142	$\varnothing 30$	14.5	1001-065