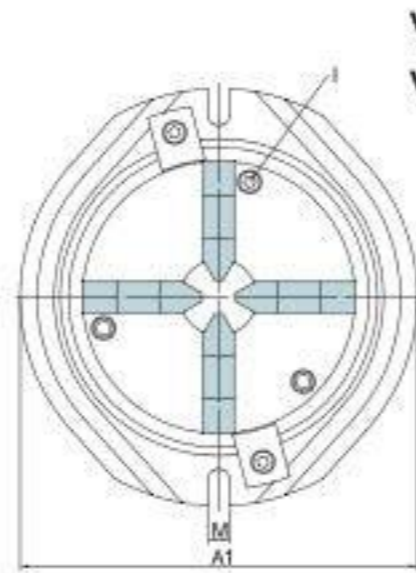


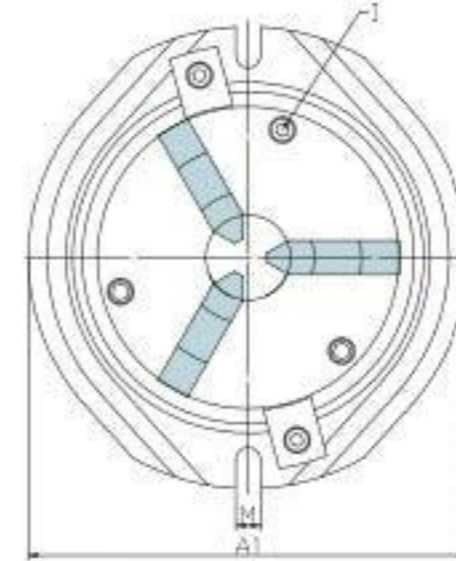
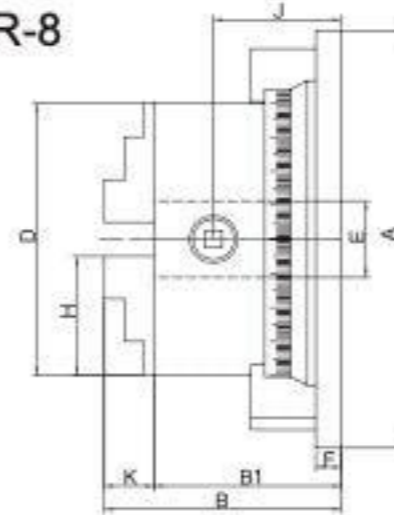


Simple Rotary Chuck

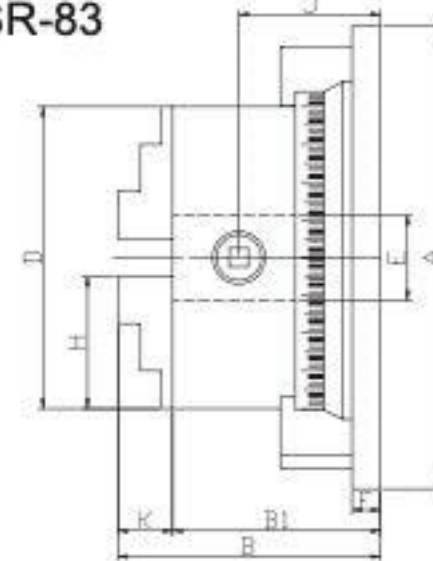
NEW



VSR-6
VSR-8



VSR-63
VSR-83



VSR-6 + VPS-6A 4JAW CHUCK
VSR-8 + VPS-8A 4JAW CHUCK

VSR-63 + VSC-6A 3JAW CHUCK
VSR-83 + VSC-8A 3JAW CHUCK

- 4-jaw chuck (include reversable and removable jaw) is designed with swivel base for multifunctional purpose.
- VERTEX simple rotary chuck can be placed and fixed on your desired position.
- 360° vernier scale: smooth swival motion and easy locking by screws.
- Both horizontal and vertical position could be used on milling and machining center.

VSR-63

ORDER NO.	FOR SHAPE	A	A1	B	B1	D	E	F	H	I	J	K	M	kgs	CODE NO.
VSR-6		245	233	139	110	160	45	15	70	3-M8	69	29	14	18	1001-068
VSR-8		305	270	159	125	200	65	20	86	3-M10	75	34	18	30.5	1001-067
VSR-10		373	355	165				22		3-M12			16	43.5	1001-069
VSR-63		245	233	139	110	160	45	15	70	3-M8	69	29	14	18	1001-068A
VSR-83		305	270	159	125	200	65	20	86	3-M10	75	34	18	30.5	1001-067A