

# PERMANENT MAGNETIC CHUCK X41

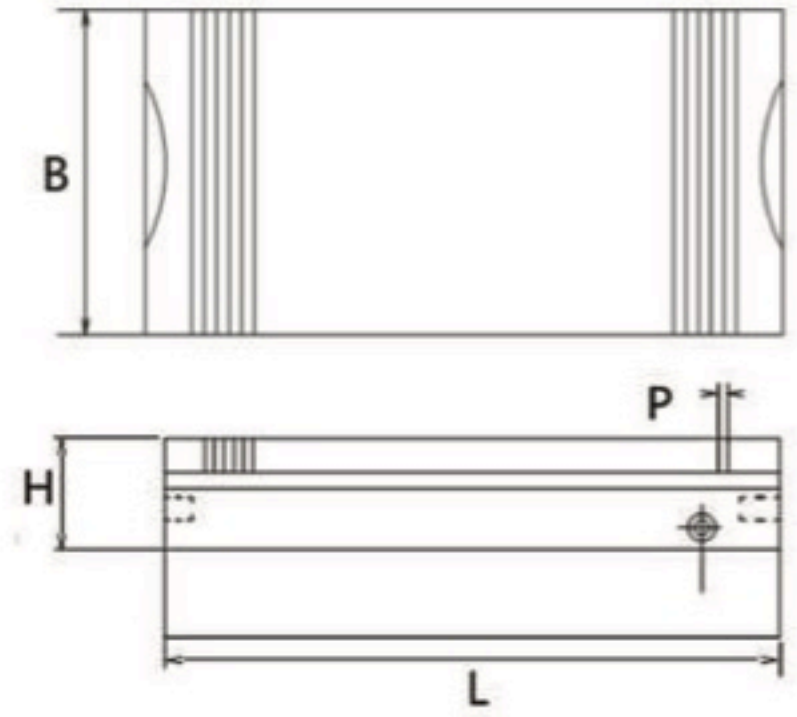
Application : Apply to surface grinder, EDM, WEDM, and other light carving machine or CNC application.

Features :

1. Fine pole spacing, uniform distribution of the magnetic force.
2. Thin and small workpiece processing of the working table is very stable. It doesn't change during magnetizing or demagnetizing.
3. The panel has special processing, completely sealed from dirt and liquid.



(mm)



Model	Length	Width	Chuck Height	Pole Pitch	Magnetic Force	Net Weight
X41 1010	100	100	48	0.5+1.5 1+3	12kgf/cm <sup>2</sup>	4.8
X41 1015	150	100				5.5
X41 10175	175	100				7.0
X41 1020	200	100				8.0
X41 12525	250	125				12
X41 1520	200	150				10
X41 1530	300	150				17
X41 1535	350	150				19
X41 1540	400	150				22
X41 1545	450	150				24
X41 2040	400	200	52	0.5+1.5 1+3	12kgf/cm <sup>2</sup>	32
X41 2060	600	200				48
X41 2540	400	250				40
X41 2550	500	250				51
X41 3030	300	300				45
X41 3040	400	300				50
X41 3050	500	300				60
X41 3060	600	300				75