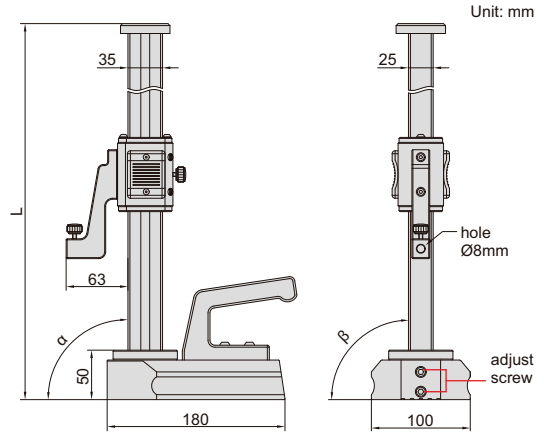


PERPENDICULARITY TESTERS



dial test indicator
is optional

4770-300



- Optional accessory:
dial test indicators (graduation: 1 μ m or 2 μ m)

Code	Range (H)	Perpendicularity (α)	Side perpendicularity (β)	L
4770-300	0-300mm	3 μ m	10 μ m	460mm
4770-600	0-600mm	5 μ m	20 μ m	760mm