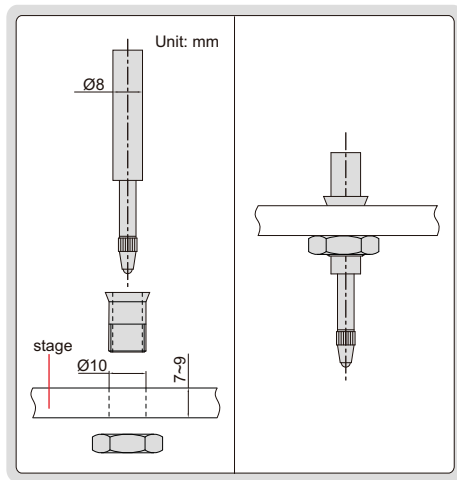
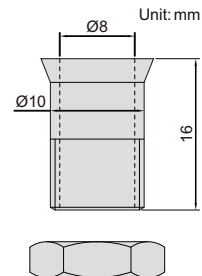


## SHAFT SLEEVE



7333



- For dial indicators and probes with shaft diameter  $\varnothing 8$ mm

Code  
7333