



Small Dial Gauge MU 28

The Dial Gauge MU 28 is the smallest model of our broad manufacturing programme. Its extremely small overall dimensions require a special adjustment procedure according to manufacturing standards.

Spindles and stems of the Small Dial Gauges MU 28 and KM 6 T are made of resistant stainless steel.

Small Dial Gauge MU 28	
Reading	0.01 mm
Range	3.5 mm
Range per revolution	0.5 mm
Bezel-Ø	28 mm
Stem-Ø	8 h 6
Dimensions and accuracy according to	DIN EN ISO 463 / manufacturing standard 4.0000.9.0012
Initial measuring force	0.8 N ± 20%
Dimensioned drawing	page 24
Data sheet to DIN EN ISO 463	www.kaefer-messuhren.de

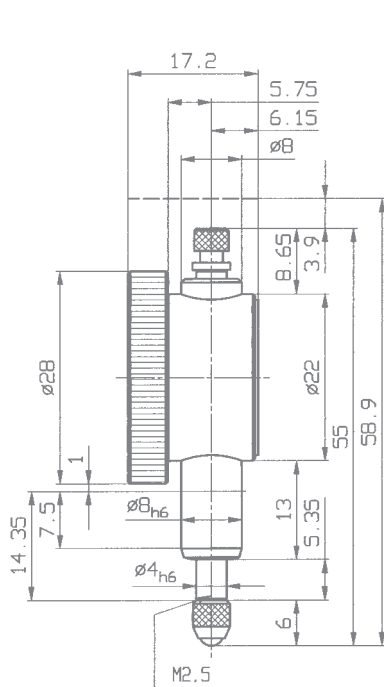


Small Dial Gauge KM 6 T

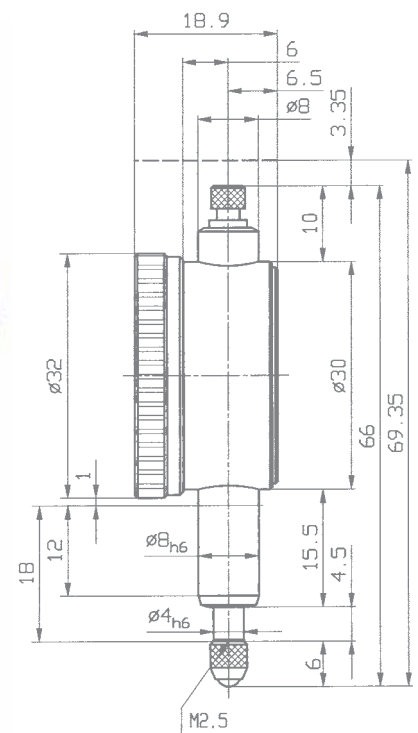
All allowed tolerances of the Small Dial Gauge KM 6 T conform to DIN 878.

On request the Small Dial Gauges KM 6 T and MU 28 are also available with coloured tolerance segments. Please request our respective offer.

Small Dial Gauge KM 6 T	
Reading	0.01 mm
Range	3 mm
Range per revolution	0.5 mm
Bezel-Ø	32 mm
Stem-Ø	8 h 6
Dimensions and accuracy according to	DIN EN ISO 463 / DIN 878
Initial measuring force	0.8 N ± 20%
Dimensioned drawing	page 24
Data sheet to DIN EN ISO 463	www.kaefer-messuhren.de



Model shown: KM 6 T



Special fittings:

