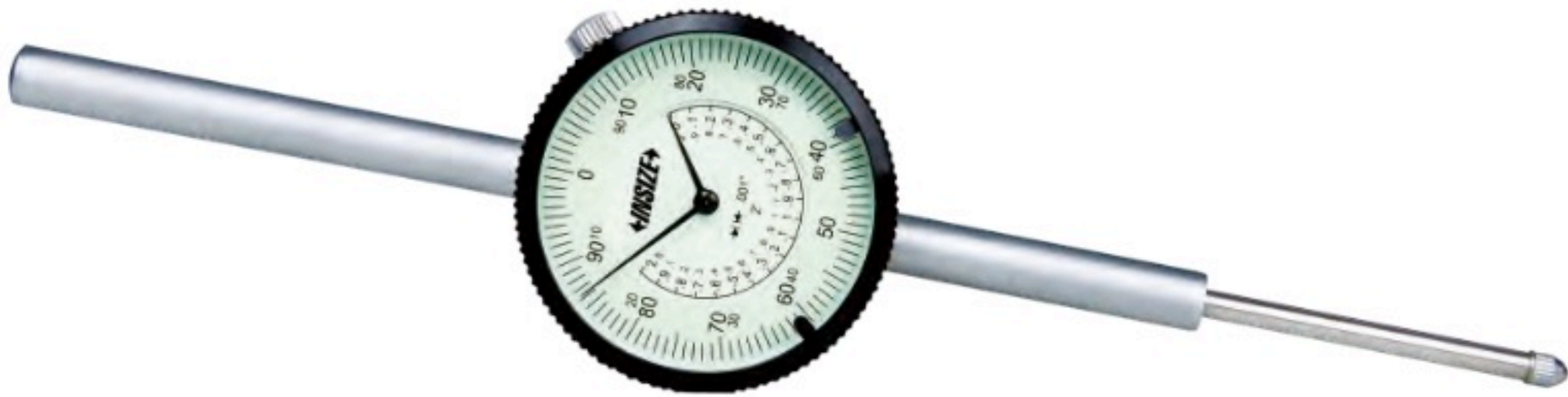


INCH LONG STROKE DIAL INDICATORS



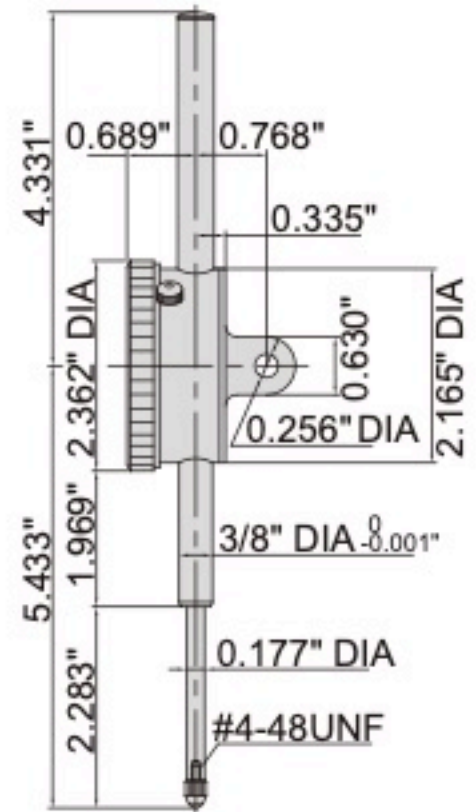
2326-2

- Graduation 0.001"
- With lug back
- Supplied with limit pointers and bezel clamp

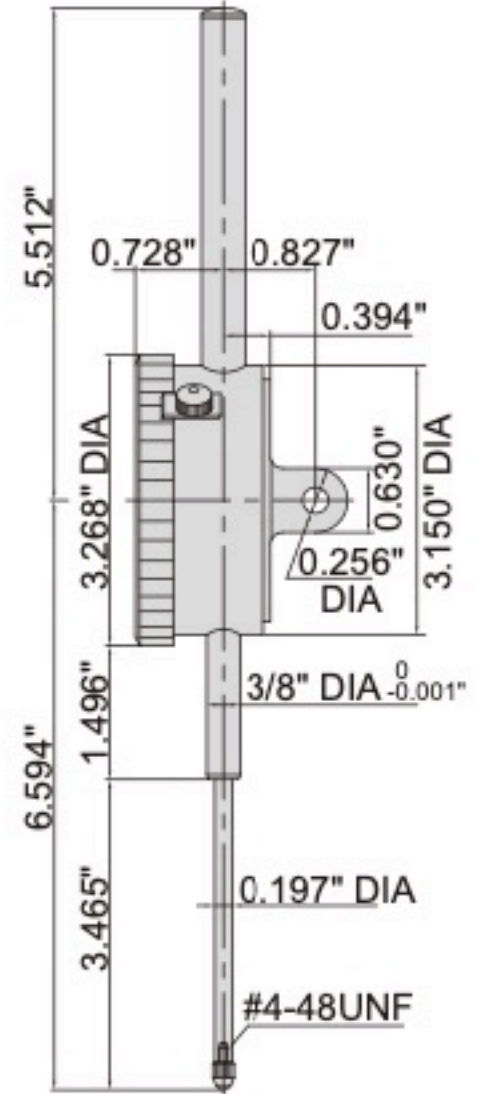
Code	Range	Accuracy		Range/rev	Dial reading
		First 2.5 rev	Overall		
2326-2 *	2"	±0.001"	±0.004"	0.1"	0-100
2326-3 ***	3"	±0.001"	±0.005"	0.1"	0-100
2326-4 ***	4"	±0.001"	±0.005"	0.1"	0-100

* Supplied with manufacturer inspection certificate traceable to NIST

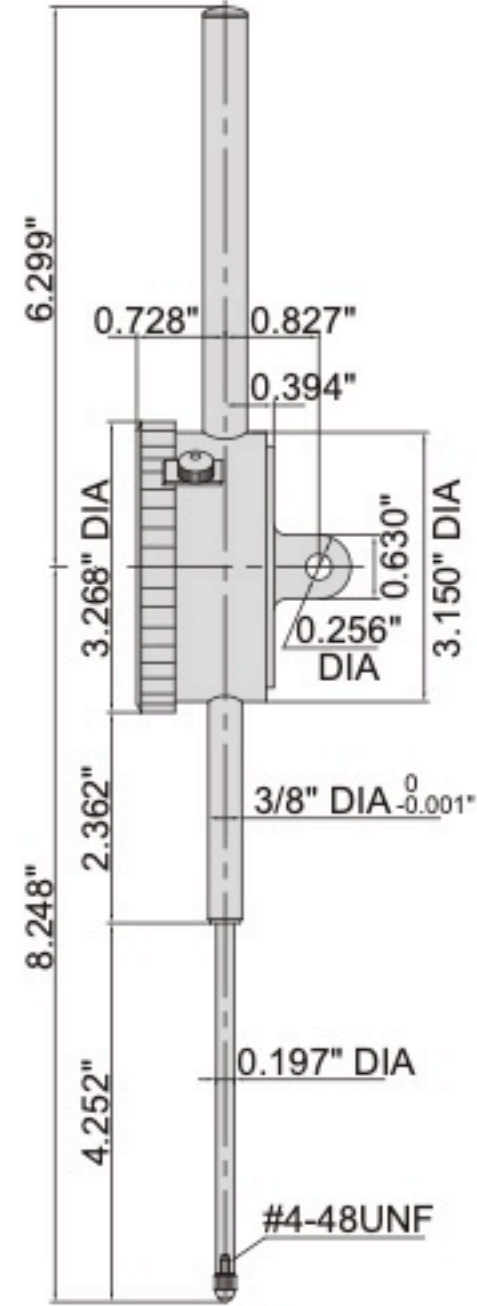
*** 2326-3 and 2326-4 can only be used vertically



2326-2



2326-3



2326-4