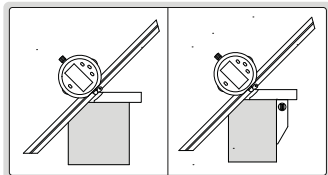
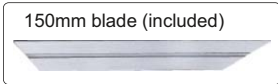


DIGITAL PROTRACTOR (BASIC TYPE)

ABSOLUTE ZERO

ATTENTION:
NO DATA OUTPUT

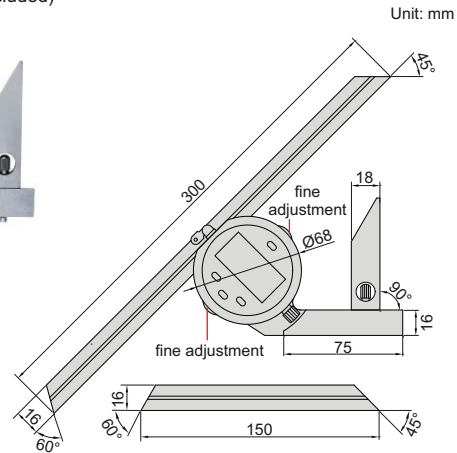
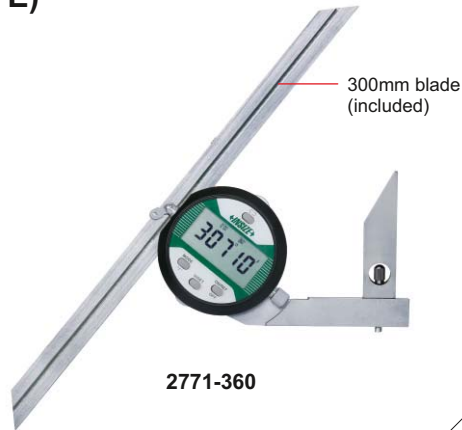


- Absolute zero, zero setting is not needed when batteries are replaced
- Button function: choose 0~90°, 0-180° or 0-360° display, change resolution, display flips over, data hold, zero, on/off supplementary angle measurement
- Battery CR2032, automatic power off
- Made of stainless steel
- Optional square for zero setting
- Optional accessory: clamp (code **2372-CLAMP**), suitable for height gages **1156**, **1351** and **1250**

Code	Range	Resolution	Accuracy
2771-360	0-360°	1/0.01°	±5'

Square (zero setting, optional)

Code
2771-S90



square (optional)



clamp for height gages (optional)

