

# HIGH PRECISION DIGITAL THICKNESS GAGES

MEASURING TIPS AND ANVILS  
CAN BE CUSTOM-MADE

ABSOLUTE ENCODER, THE ORIGINAL  
DATA REMAINS AFTER POWER OFF

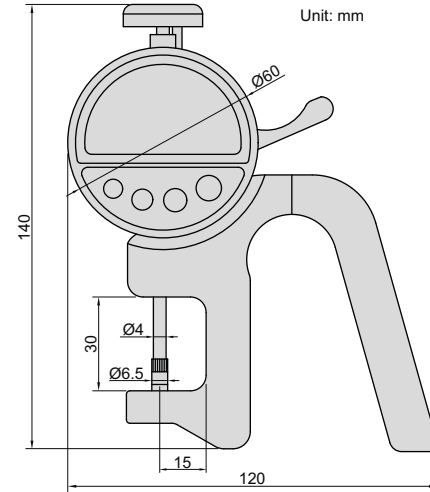
ATTENTION: RECHARGEABLE BATTERY,  
FOR 12 HOURS CONTINUOUS WORKING

DATA  
OUTPUT



**2879-10**

- Absolute encoder, the original data remains after power off
- Button function: on/off, zero, tolerance, absolute/incremental measurement, max./min./TIR, data preset, mm/inch, data output, data hold
- Measuring force: 0.5-1N
- Reading in digital and analog
- Power: rechargeable battery, for 12 hours continuous working
- Data output
- Supplied with data output cable (keyboard format)



Code	Range	Resolution	Accuracy	Repeatability
<b>2879-10</b>	0-10mm/0-0.4"	0.001mm/0.00005"	±0.002mm	0.001mm
<b>2879-101</b>	0-10mm/0-0.4"	0.0005mm/0.00002"	±0.0015mm	0.0005mm