

MICROMETER STAND

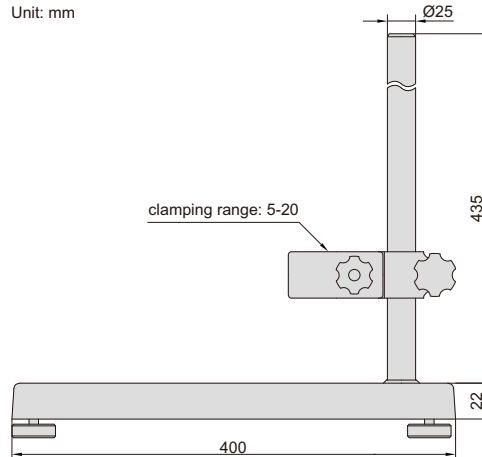
- Suitable for 100-300mm outside micrometers (except **3675** series)

Code

6302



Unit: mm



6302