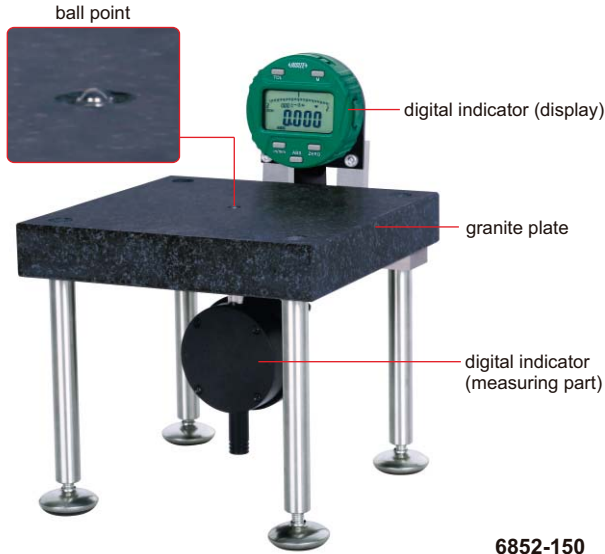


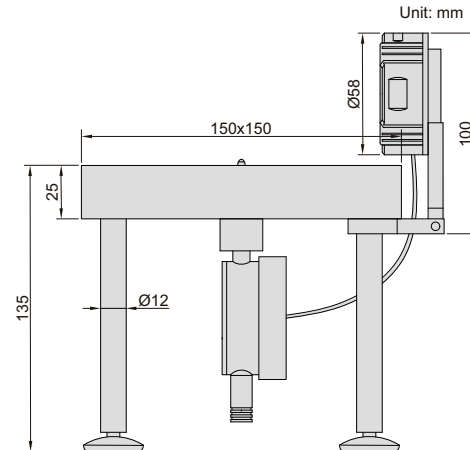
FLATNESS MEASUREMENT STAND

GRANITE PLATE CAN BE CUSTOMIZED
ACCORDING TO WORKPIECES

DATA
OUTPUT



6852-150



- Optional accessory: data output cable (code 7315-50M, 7302-40M, 7305-40M)

| Code | Digital indicator resolution | Flatness measurement accuracy | Flatness of granite plate |
|----------|------------------------------|-------------------------------|---------------------------|
| 6852-150 | 0.001mm/0.00005" | 2µm | 2µm |