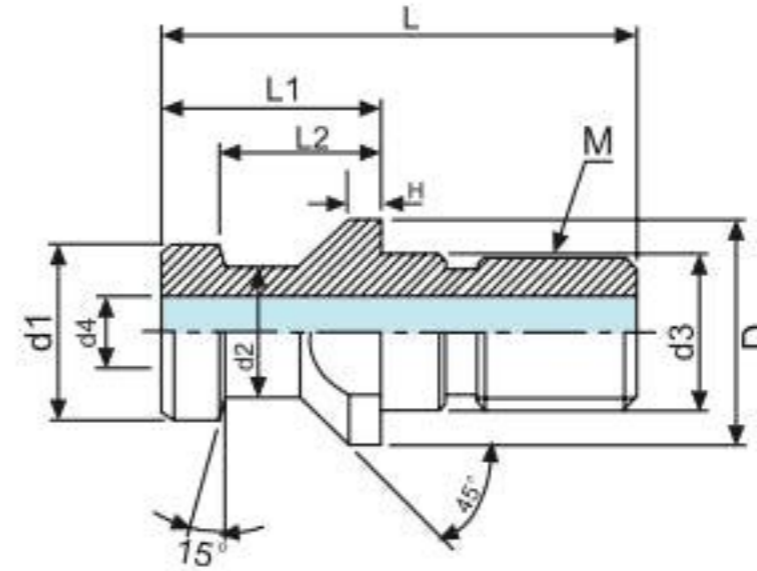


FOR DIN 69872-1988

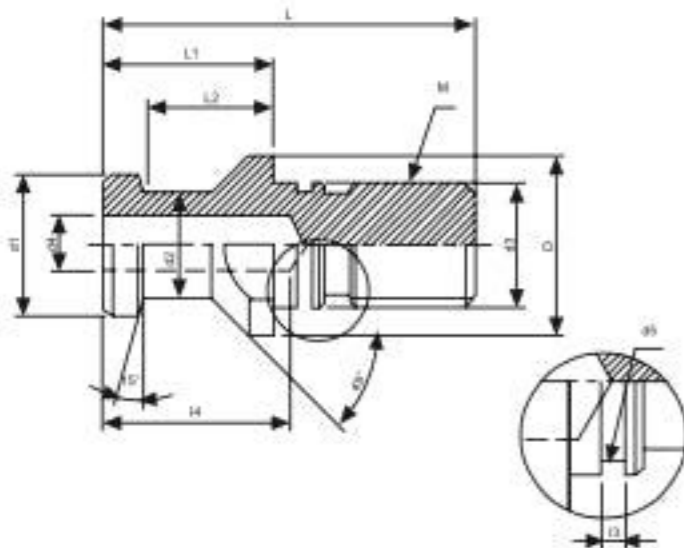


With Collant Hole

## DIN 69872, (WITH THROUGH HOLE)-A TYPE

Unit:mm

ORDER NO.	TAPER NO.	L	L1	L2	D	d1	d2	d3	d4	M	H	CODE NO.
BT-522	DIN30-A	44	24	19	17	13	9	13	3	M12		3215-066
BT-523	DIN40-A	54	26	20	23	19	14	17	7	M16	4	3215-067
BT-524	DIN40-A-L	54	29	23	23	19	14	17	7	M16		3215-068
BT-525	DIN50-A	74	34	25	36	28	21	25	11.5	M24		3215-069



## WITHOUT O-RING DIN69872-B TYPE

Unit:mm

ORDER NO.	TAPER NO.	L	L1	L2	I3	I4	D	d1	d2	d3	d4	M	CODE NO.
BT-526	DIN30-B	44	24	19	1.4	/	17	13	9	13	/	M12	3215-070
BT-527	DIN40-B	54	26	20	1.9	27	23	19	14	17	7	M16	3215-071
BT-528	DIN50-B	74	34	25	3	37	36	28	21	25	11.5	M24	3215-072