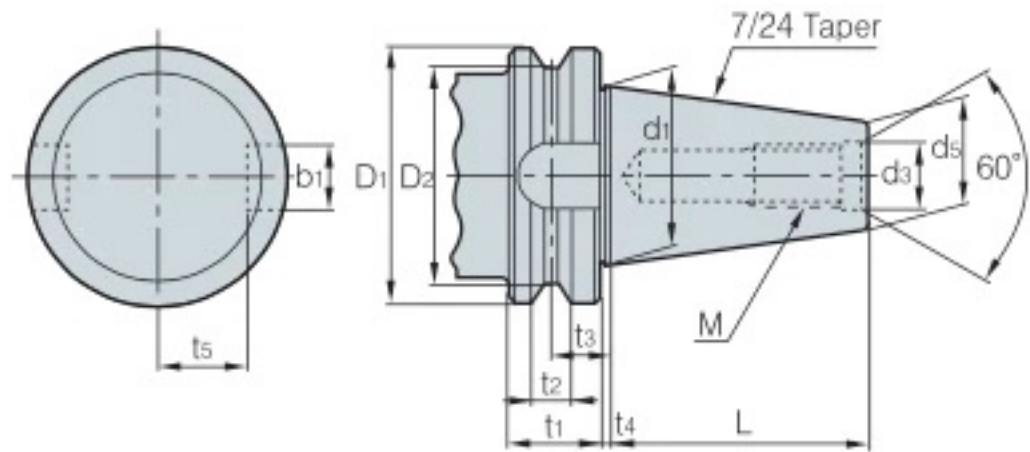


Bottle grip taper



BT No.	D ₁	D ₂	t ₁	t ₂	t ₃	t ₄	d ₁	d ₃	L	M	b ₁	t ₅	d ₅
35	53	43	22	10	14.6	2	38.1	13	56.5	M12×1.75	16.1	19.6	21.62
40	63	52	25	10	16.6	2	44.45	17	65.4	M16×2	16.1	22.6	25.3
45	85	73	30	12	21.2	3	57.15	21	82.8	M20×2.5	19.3	29.1	33.1
50	100	85	35	15	23.2	3	69.85	25	101.8	M24×3	25.7	35.4	40.1
60	155	135	45	20	28.2	3	107.95	31	161.8	M30×3.5	25.7	60.1	60.7

(mm)