

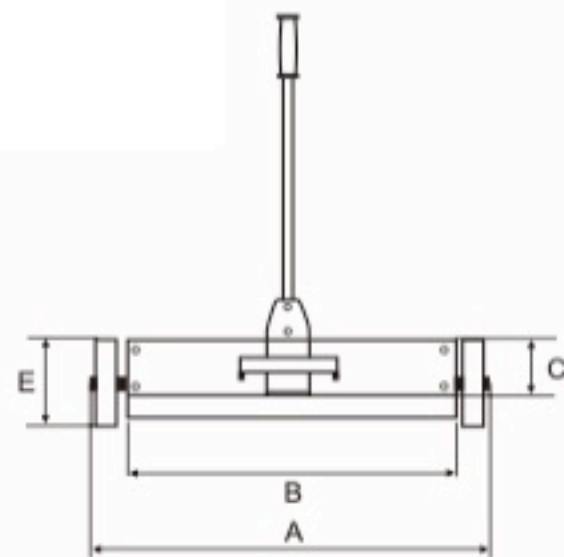
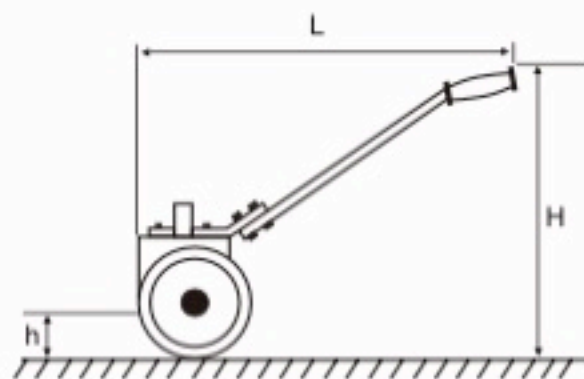
# MAGNETIC SWEEPER

## CT4 磁力清扫车

Application: suitable for using in factory workshop, absorb the metal pieces, screw & scrap iron effectively, keep the working place clean and easy for recycling.

Features:

- 1.The strong magnetic force is permanent, focused on the ground directly and generates a powerful magnetic field.
- 2.Simple structure, by adjusting the handle, unload the material easily and convenient.



型号 Model	磁系B×C Magnet B×C	磁极材料 Material	轮径E(mm) Wheel Diameter E	吸附高度h(mm) Suction Height h	毛重(kg) Gross Weight	净重(kg) Net Weight
CT4-4510	450×100	Ferrite	175	50	7.5	7
CT4-6010	600×100		175	50	8.5	8
CT4-7510	750×100		175	50	10	9.5
CT4-9010	900×100		175	50	14	13.5