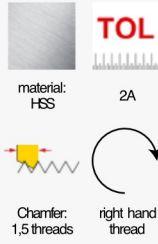
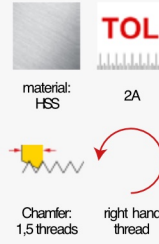


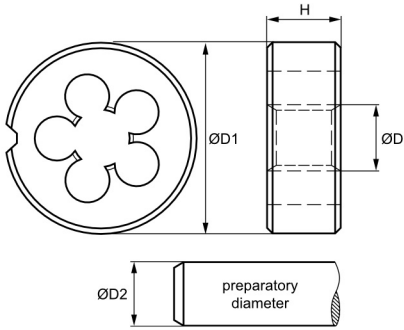
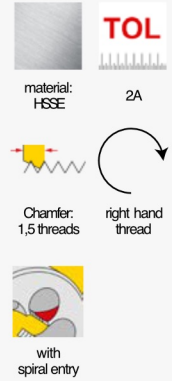
Round Dies for general use



Round Dies for general use Left Hand



Round Dies for stainless steels



	D	D1	H	D2	Nb.	Nb.	Nb.
UNC No 1 x 64	1,85	16	5	1,79	141401001		
UNC No 2 x 56	2,18	16	5	2,12	141401002		
UNC No 3 x 48	2,52	16	5	2,44	141401003		
UNC No 4 x 40	2,85	20	5	2,76	141401004		141405001
UNC No 5 x 40	3,18	20	5	3,09	141401005		
UNC No 6 x 32	3,51	20	7	3,41	141401006	141402001	141405002
UNC No 8 x 32	4,17	20	7	4,07	141401007	141402002	141405003
UNC No 10 x 24	4,83	20	7	4,71	141401008	141402003	
UNC No 12 x 24	5,49	20	7	5,37	141401009		
UNC 1/4 x 20	6,35	20	7	6,22	141401010	141402004	141405004
UNC 5/16 x 18	7,94	25	9	7,80	141401011	141402005	141405005
UNC 3/8 x 16	9,53	30	11	9,37	141401012	141402006	141405006
UNC 7/16 x 14	11,11	30	11	10,95	141401013	141402007	
UNC 1/2 x 13	12,70	38	14	12,52	141401014	141402008	
UNC 9/16 x 12	14,29	38	14	14,10	141401015	141402009	
UNC 5/8 x 11	15,88	45	18	15,68	141401016	141402010	
UNC 3/4 x 10	19,05	45	18	18,84	141401017	141402011	
UNC 7/8 x 9	22,23	55	22	22,00	141401018	141402012	
UNC 1" x 8	25,40	55	22	25,16	141401019	141402013	
UNC 1.1/8 x 7	28,58	65	25	28,31	141401020		
UNC 1.1/4 x 7	31,75	65	25	31,49	141401021		
UNC 1.3/8 x 6	34,93	65	25	34,63	141401022		
UNC 1.1/2 x 6	38,10	65	25	37,80	141401023		
UNC 1.1/2 x 6	38,10	75	30	37,80	141401024		
UNC 1.5/8 x 5	41,28	75	30	40,95	141401025		
UNC 1.3/4 x 5	44,45	90	36	44,12	141401026		
UNC 1.7/8 x 4,5	47,63	90	36	47,30	141401027		
UNC 2" x 4,5	50,80	90	36	50,45	141401028		