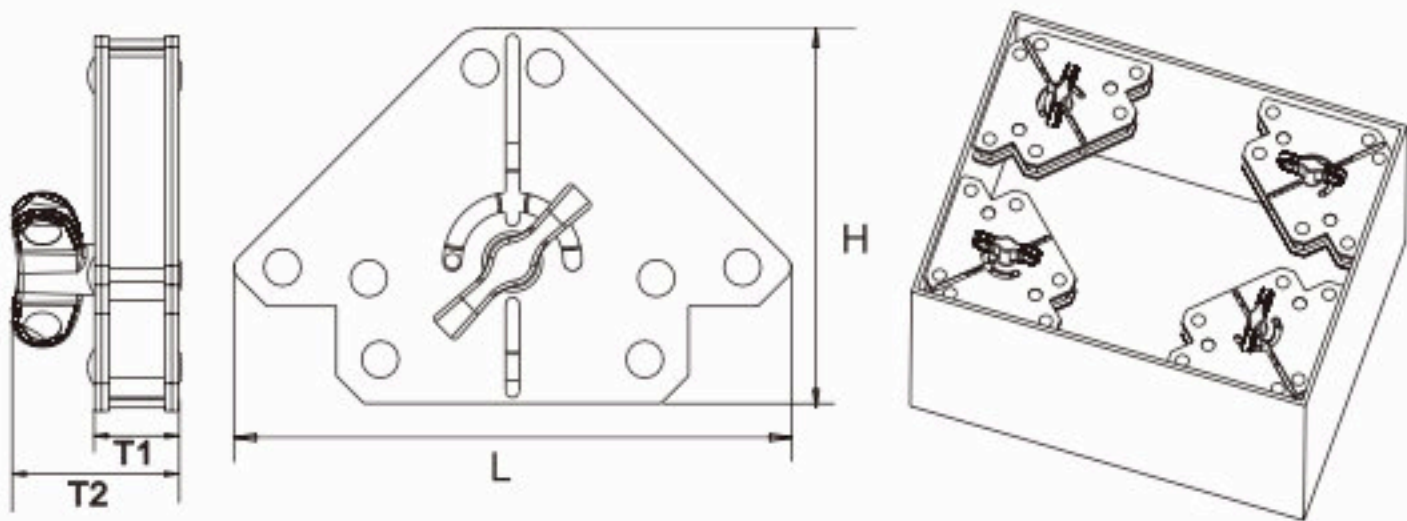


SWITCHABLE ARROW WELDING MAGNET

FM3

Application: Can be used for welding, soldering, pipe installation, assembly, magnetic pick-up tool etc.

- Features:
1. With On/Off switch, easy and safe to set up.
 2. Strong ferrite magnet encased in durable steel casing and reinforced with rivets.
 3. Multi-angle design can be used at 45, 90 or 135 degrees.



Model	Dimension (mm)				Angles	Net Weight (kg)	Pull Off Force (kg)
	L	H	T1	T2			
FM3-S	120	81	18	36	45°/90°/135°	0.43	15-20
FM3-M	160	108	21	39	45°/90°/135°	0.85	30-50