

PORTABLE PERMANENT MAGNETIC LIFTER

HML 便携式永磁起重器

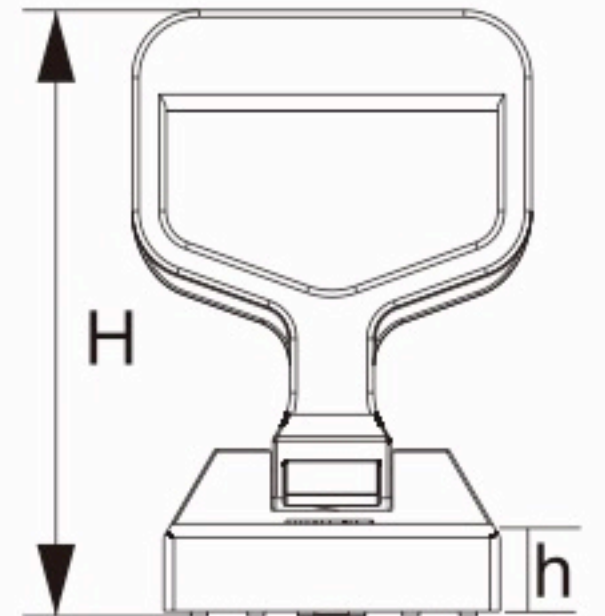
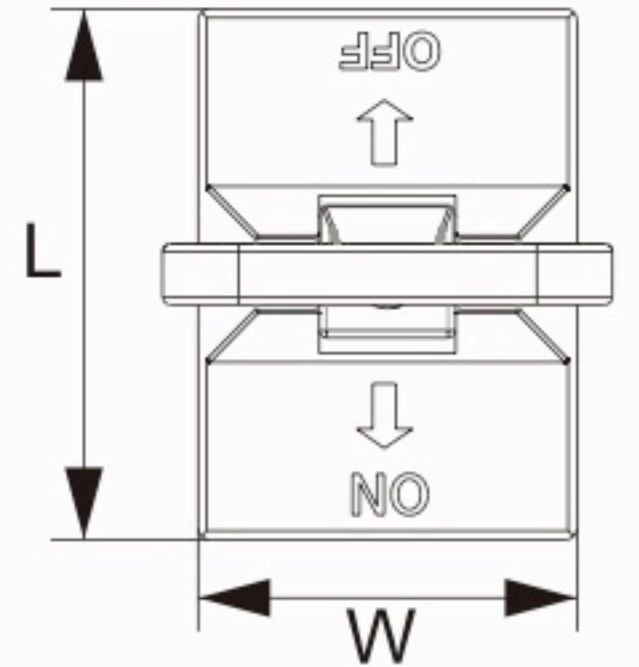
Application: Suitable for handling sheet steel, iron, saw blades and other small workpiece transport.

Features :

1. Rare earth magnet, stronger magnetic force.
2. Suitable for carrying 50kg steel block with one or several combined together.
3. Energy & cost saving by pushing down quickly to get off the workpiece.
4. Die casting aluminium body and handle, corrosion & impact resistance, solid and durable.

用途：适用于搬运薄钢板、铁块、锯片等小工件运输工具

特点：体积小,吸力大,在日常使用中基本无需维修保养。单手操作,快速下压手柄就可以脱离工件。
使用方便,可以多人持多个产品同时使用,是吸持和搬运薄板的理想工具。



型号 Model	规格 Dimension(mm) L W H h				额定起重力(kg) Rated Lifting Capacity	试验最大拉脱力(kg) Test Max Pull Off Force	净重 (kg) Net Weight
HML	140	100	180	28	50	300	1.8

