

# ROUGHNESS TESTER CODE ISR-T120

BLUETOOTH

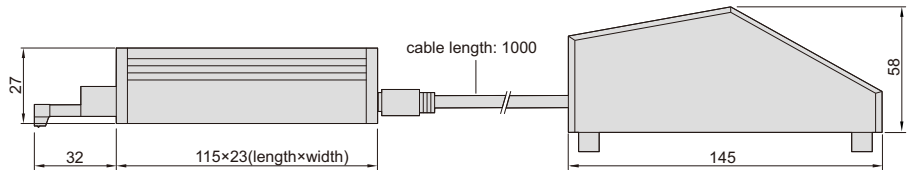
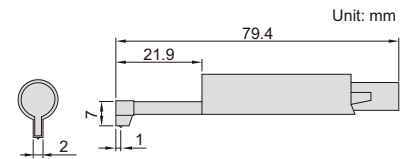
TOUCH SCREEN

CAN BE OPERATED BY  
MOBILE PHONES OR COMPUTERS

DATA  
OUTPUT



- Roughness tester can be operated by mobile phones (only Android system) or computers
- Data can be sent to Excel by connecting to computers via bluetooth or SPC cable
- Built-in printer can print measurement results and graphics
- 22 roughness parameters
- Meet ISO, DIN, ANSI, JIS standards
- Display roughness values, profile and curve
- Memory of maximum 100 data and waveform
- Built-in lithium battery, working time more than 50 hours
- Automatic power off



roughness tester screen display

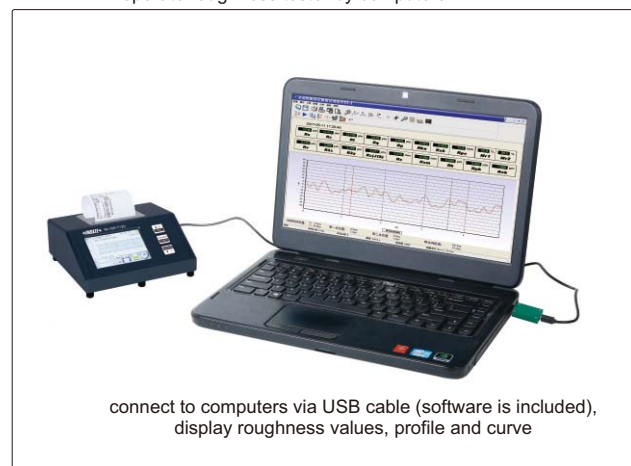
<p>18-10-11 10:07:59 0.80mm x 5 GAUSS</p> <p>Ra= 0.001 <math>\mu\text{m}</math> Rz= 0.023 <math>\mu\text{m}</math></p> <p>Rq= 0.004 <math>\mu\text{m}</math> Rt= 0.023 <math>\mu\text{m}</math></p> <p>Rp= 0.000 <math>\mu\text{m}</math> Rv= 0.023 <math>\mu\text{m}</math></p> <p>R3z= 0.00 <math>\mu\text{m}</math> R3v= 0.00 <math>\mu\text{m}</math></p>	<p>L1=15.0mm (2.50*5) 00:04:53</p> <p>Rz= 764.17 <math>\mu\text{m}</math></p> <p>Rmax= 841.2 <math>\mu\text{m}</math></p>	<table border="1"> <thead> <tr> <th>C (Rt)</th> <th>Rmr</th> </tr> </thead> <tbody> <tr> <td>5%</td> <td>96.7%</td> </tr> <tr> <td>10%</td> <td>96.7%</td> </tr> <tr> <td>15%</td> <td>96.7%</td> </tr> <tr> <td>20%</td> <td>96.7%</td> </tr> </tbody> </table>	C (Rt)	Rmr	5%	96.7%	10%	96.7%	15%	96.7%	20%	96.7%
C (Rt)	Rmr											
5%	96.7%											
10%	96.7%											
15%	96.7%											
20%	96.7%											

measurement result                      roughness profile                      Rmr analysis

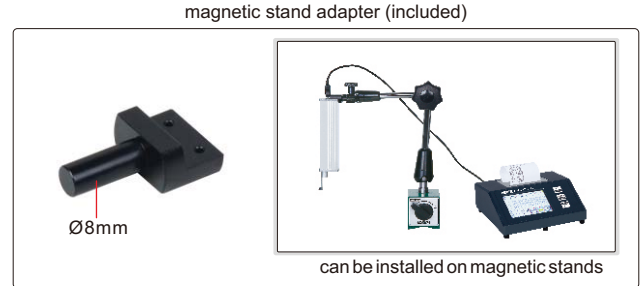
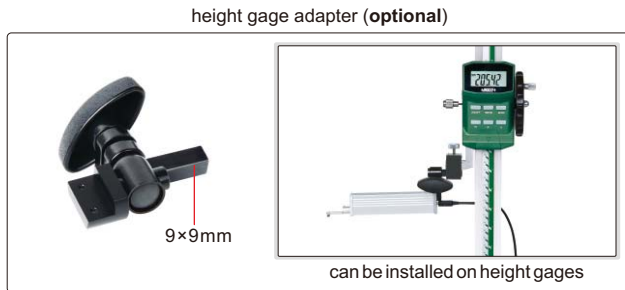
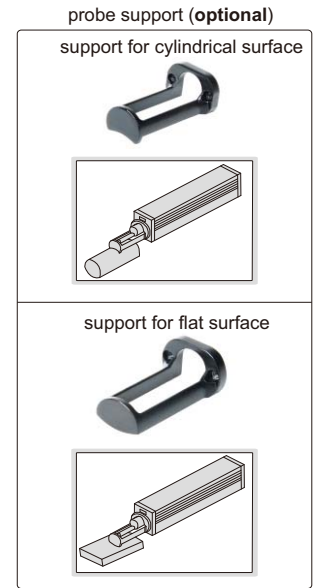
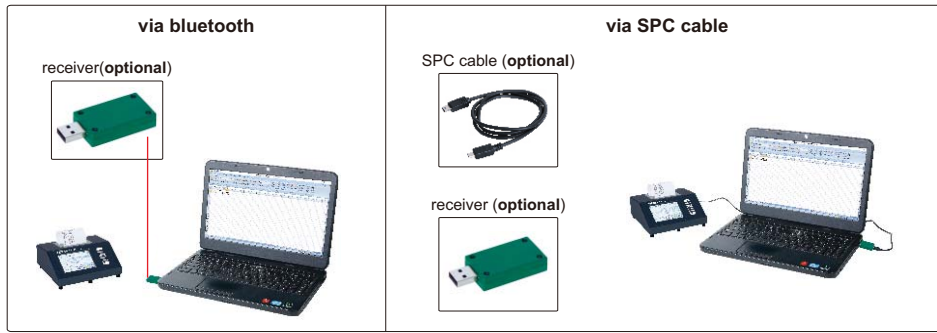
operate roughness tester by mobile phones



operate roughness tester by computers



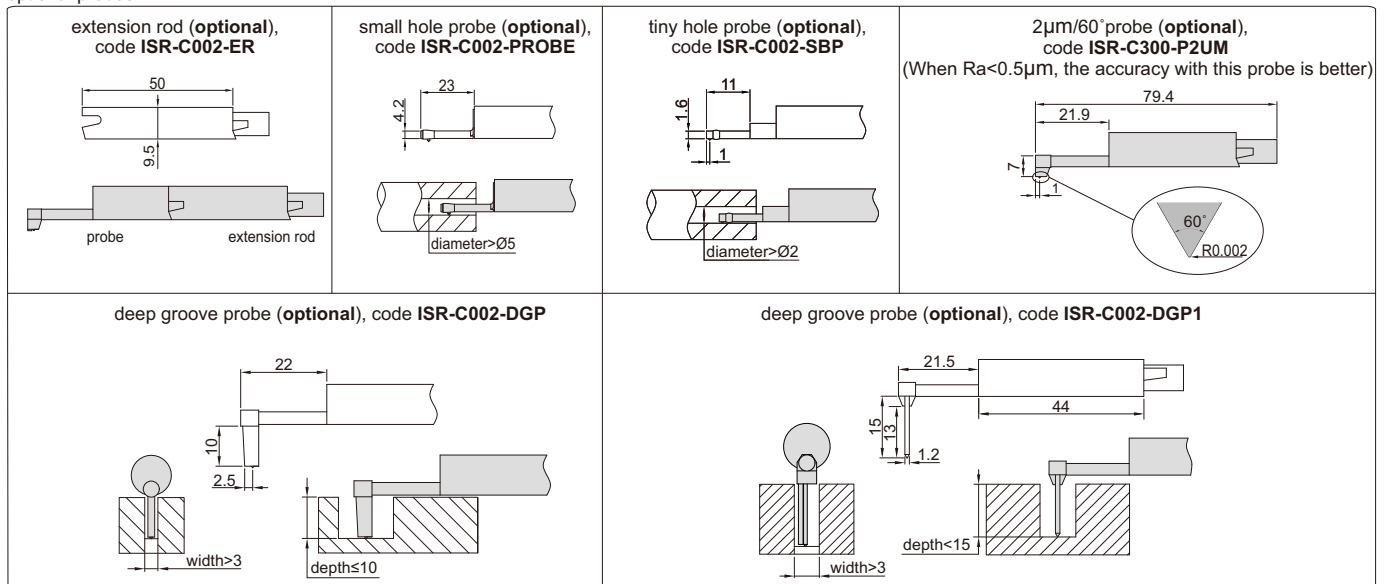
data can be sent to Excel by connecting to computer via bluetooth or SPC cable



**NOTE:** Please check whether the adapter can fit your height gages. When using **INSIZE** height gages, please use the dial test indicator holder of height gages

optional probes

Unit: mm



heavy duty test stand (optional)



light duty test stand (optional)



### SPECIFICATION

Parameters		Ra, Rz, Rq, Rv, Rp, Rs, R3z, R3y, Rt, Rc, Rz (JIS), Rk, Rku, Rsm, Rpc, Rpk, Rvk, Rsk, Mr1, Mr2, Ry, Rmax
Range	X axis	17.5mm
	Z axis	640 $\mu$ m (-320 $\mu$ m~320 $\mu$ m)
Accuracy		$\pm$ 10%
Resolution (Ra)		0.001 $\mu$ m
Probe	type	inductive
	stylus radius/angle	5 $\mu$ m/90°
	stylus material	diamond
Measuring force		4mN
Measuring unit		$\mu$ m/ $\mu$ in
Cut off		0.25/0.8/2.5mm
Number of cut-offs		1~5
Traverse speed		0.135mm/s, 0.5mm/s, 1mm/s
Memory		100 measurement results
Output		bluetooth and USB
Power		built-in rechargeable battery
Dimension (L×W×H)		158×64×52mm
Weight		400g

### OPTIONAL ACCESSORY

Extension rod	ISR-C002-ER
Small hole probe	ISR-C002-PROBE
Tiny hole probe	ISR-C002-SBP
2 $\mu$ m/60° probe	ISR-C300-P2UM
Deep groove probe	ISR-C002-DGP
Deep groove probe	ISR-C002-DGP1*
Height gage adapter	ISR-C300-LB1
Receiver	ISR-C300-RECEIVER
SPC cable	ISR-C300-SPC
Support for flat surface	ISR-C300-COVER1
Support for cylindrical surface	ISR-C300-COVER2
Light duty test stand	ISR-C002-STAND1
Heavy duty test stand	ISR-C002-STAND

### STANDARD DELIVERY

Main unit	1 pc
Standard probe	1 pc
Calibration block and support	1 pc of each
Magnetic stand adapter	1 pc
Adjustable stand	1 pc
Touch pen	1 pc
Software and USB cable	1 pc
AC/DC adapter	1 pc

\*Need to be delivered with roughness tester **ISR-T120**