

Measurement of foamed material and foils

Application range up to 100 mm



K110T



D110T



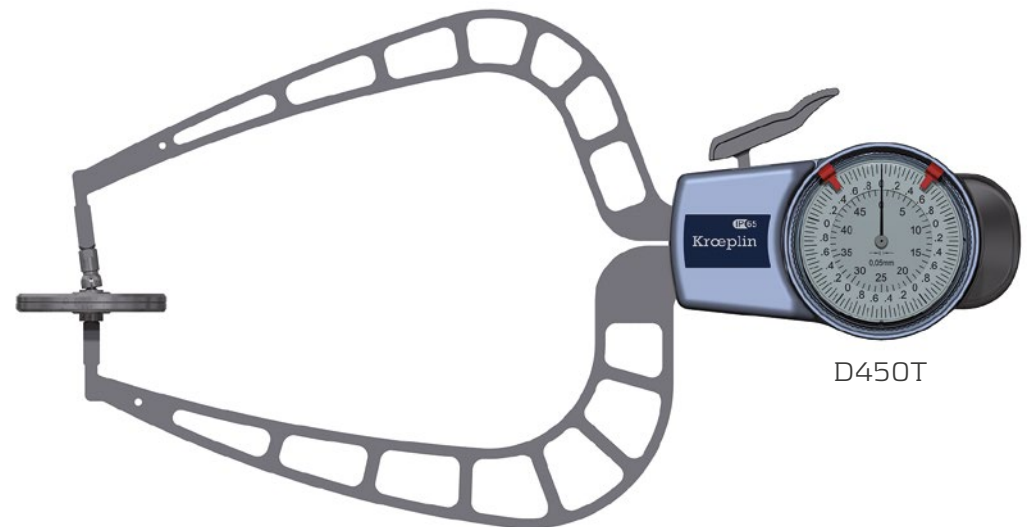
K220T



D220T



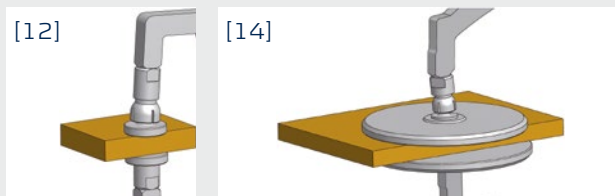
K330T



D450T

| Type | Measuring span Mes [mm] | Measuring range Meb [mm] | Range of indication AzB [mm] | Numerical interval Zw Scale interval Skw [mm] | Permissible errors G [mm] | Repeatability limit r [mm] | Measuring force F_{min} [N] | Measuring force F_{max} [N] | Weight [g] | Protection class | Measuring contact movable Hb [mm] | Measuring contact fixed Hf [mm] | Type of measuring contact [mm] | Measuring depth L max. [mm] | Picture | Electronic E Mechanical M | Wooden box |
|---------|----------------------------|-----------------------------|------------------------------------|---|------------------------------|-------------------------------|----------------------------------|----------------------------------|---------------|------------------|---|---------------------------------------|--------------------------------------|--------------------------------|---------|------------------------------|------------|
| K110T | 10 | 0-10 | 0-10,5 | 0,005 | 0,02 | 0,005 | 0,8 | 1,2 | 265 | IP67 | 21,7 | 14,8 | Flat Ø 6 | 35 | [12] | E | 1732-65 |
| D110T | 10 | 0-10 | 0-10,5 | 0,005 | 0,02 | 0,005 | 0,8 | 1,2 | 175 | IP65 | 21,7 | 14,8 | Flat Ø 6 | 35 | [12] | M | 1732-45 |
| K220T | 20 | 0-20 | 0-20,5 | 0,01 | 0,04 | 0,01 | 1,1 | 1,6 | 310 | IP67 | 28,2 | 20,7 | Flat Ø 10 | 85 | [12] | E | 1732-65 |
| D220T | 20 | 0-20 | 0-20,5 | 0,01 | 0,04 | 0,01 | 1,1 | 1,6 | 220 | IP65 | 28,2 | 20,7 | Flat Ø 10 | 85 | [12] | M | 1732-45 |
| K330T | 30 | 0-30 | 0-30,5 | 0,01 | 0,06 | 0,04 | 0,9 | 1,6 | 430 | IP67 | 36 | 24 | Flat Ø 50 | 116 | [14] | E | 1732-71 |
| K450T | 50 | 0-50 | 0-50,5 | 0,01 | 0,06 | 0,04 | 0,8 | 1,7 | 500 | IP67 | 36 | 24 | Flat Ø 50 | 167 | [14] | E | 1732-71 |
| D450T | 50 | 0-50 | 0-50,5 | 0,05 | 0,1 | 0,05 | 0,8 | 1,7 | 440 | IP65 | 36 | 24 | Flat Ø 50 | 167 | [14] | M | 1732-51 |
| K4100T | 50 | 50-100 | 49,5-100,5 | 0,01 | 0,06 | 0,04 | 0,8 | 1,7 | 520 | IP67 | 36 | 17 | Flat Ø 50 | 167 | [14] | E | HK |
| D4100T | 50 | 50-100 | 49,5-100,5 | 0,05 | 0,075 | 0,05 | 0,8 | 1,7 | 450 | IP65 | 36 | 17 | Flat Ø 50 | 167 | [14] | M | HK |
| K8100T | 100 | 0-100 | 0-101 | 0,05 | 0,15 | 0,1 | 0,8 | 1,8 | 670 | IP67 | 39 | 7 | Flat Ø 50 | 375 | [14] | E | HK |
| D8100T | 100 | 0-100 | 0-101 | 0,1 | 0,15 | 0,1 | 0,8 | 1,8 | 610 | IP65 | 39 | 7 | Flat Ø 50 | 375 | [14] | M | HK |
| C12100T | 100 | 0-100 | 0-101 | 0,1 | 0,3 | 0,2 | 1,6 | 2,2 | 1000 | - | 34 | 14 | Flat Ø 50 | 550 | [14] | E | HK |
| D12100T | 100 | 0-100 | 0-101 | 0,1 | 0,3 | 0,2 | 1,6 | 2,2 | 1100 | - | 34 | 14 | Flat Ø 50 | 550 | [14] | M | HK |

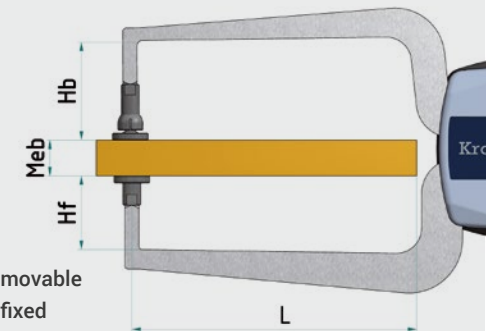
Measuring contacts



Flat Ø 6 mm
Flat Ø 10 mm

Flat Ø 50 mm

Measuring capacity



Meb Measuring range
Hb Measuring contact movable
Hf Measuring contact fixed
L Measuring depth