

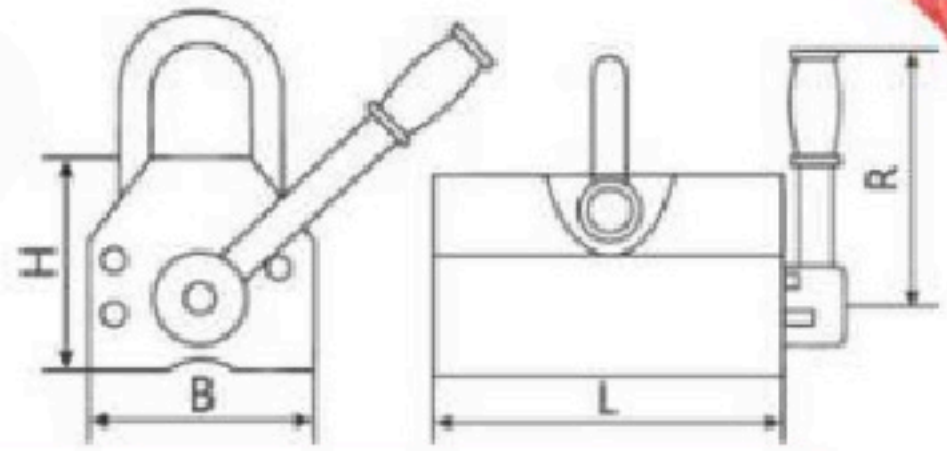
MANUAL PERMANENT MAGNETIC LIFTER

LS1

Application: Widely used in machining and mould processing industry.

Features:

1. Using high-performance permanent magnetic materials, with strong magnetic force, unique circuit design, remanence almost zero.
2. High safety factor, maximal magnetic force is 3.5 times of rated lifting capacity.
3. Handle switches with safety button, easy for Single-hand operation, more safety and convenience.
4. "V" style design at the bottom of lifter, can lift round steel and steel plate.
5. Without electricity, magnetic force permanent, more safety in using, and can be operated in the field.



safety factor
3.5
times

Model	Steel Plate			Round Plate			(kg) Test Max Pull Off Force	.(mm) Dimension				(kg) Net Weight
	最大承重(kg) Max Load	最小厚度(mm) Min Thickness	最大长度(mm) Max Length	最大承重(kg) Max Load	最大直径(mm) Max Diameter	最大长度(mm) Max Length		L	B	H	R	
LS1-0.1	100	15	1500	45	Φ 50	1000	350	94	72	78	145	3.2
LS1-0.2	200	20	1750	90	Φ 75	1250	750	146	72	81	145	5.4
LS1-0.4	400	25	2000	180	Φ 100	1750	1250	168	94	106	178	11
LS1-0.6	600	30	2250	270	Φ 125	2000	2100	218	116	116	225	20
LS1-1	1000	40	2500	450	Φ 150	2500	3500	272	145	145	295	40
LS1-1.5	1500	45	2750	675	Φ 175	2750	5000	342	145	145	295	48
LS1-2	2000	55	3000	900	Φ 200	3000	6000	388	160	170	365	74
LS1-3	3000	60	3000	1350	Φ 225	3000	9000	460	185	185	425	105
LS1-5	5000	70	3000		/		15000	568	250	255	900	248
LS1-10	10000	120	3000		/		30000	586	567	308	1200	750

