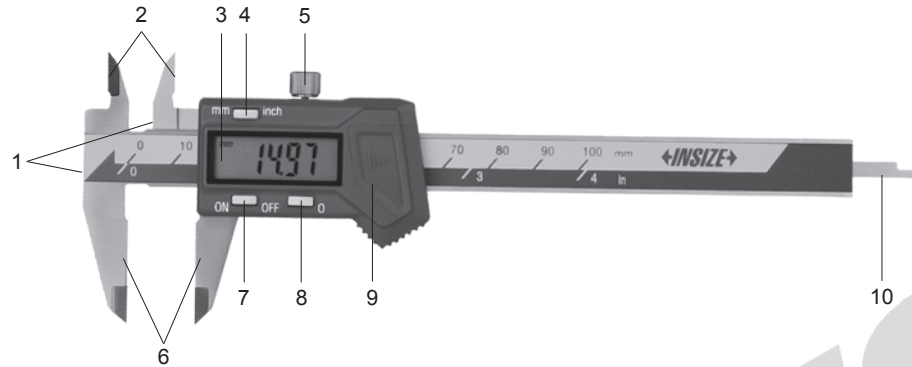


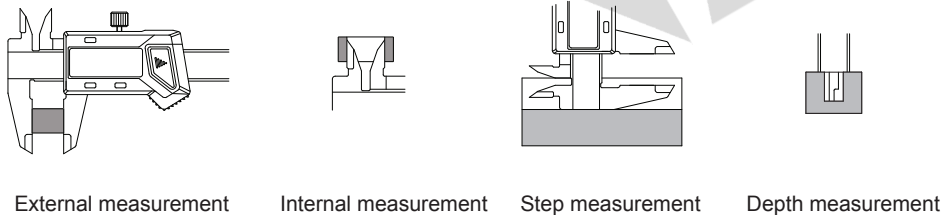
Resolution: 0.01mm/0.0005"  
Accuracy:  $\pm 0.02\text{mm}$



- 1-Step measuring faces
- 2-Internal measuring jaws
- 3-LCD display
- 4-'mm/inch' button
- 5-Locking screw

- 6-External measuring jaws
- 7- ON/OFF' button
- 8-'0' button
- 9-Battery cover
- 10-Depth measuring bar

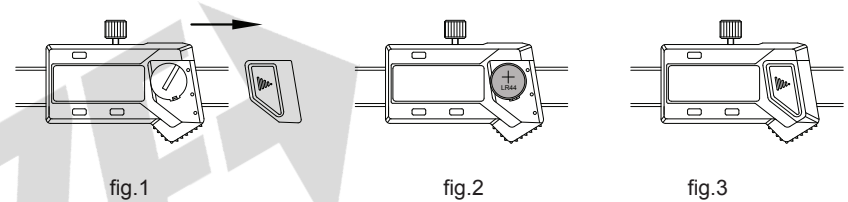
### 1. Measurement:



External measurement   Internal measurement   Step measurement   Depth measurement

### 2. Install battery:

- Remove the battery cover (fig.1)
- Put SR44 or LR44 battery into battery house, the positive side of battery (+) should face out (fig.2)
- Close the battery cover (fig.3)



### 3. Buttons:

- mm/inch---mm and inch conversion
- ON/OFF---turn off/on
- 0---set zero

- 4. The caliper is not waterproof. Prevent liquid from getting into caliper to damage electronics.
- 5. Before use, clean the measuring faces with soft cloth, then close the external jaws, press '0' to set zero. The caliper should be checked regularly to make sure that it is properly zero set.
- 6. To get accurate measurement, it is necessary to control the force. During measurement, please always apply constant and proper force on the caliper. The measuring jaws should "hold" the workpiece and can still "slide" on the workpiece.
- 7. Automatic power off in about five minutes. Press any button or move the digital unit to turn on display.
- 8. One battery can last for one year use. When the battery is running out, digits will flash please replace battery. If caliper is not be used for long time, please remove the battery. Otherwise, liquid may leak from the battery and damage the caliper.
- 9. Working temperature is 0~40°C/32~104°F, relative humidity should not exceed 80%.