



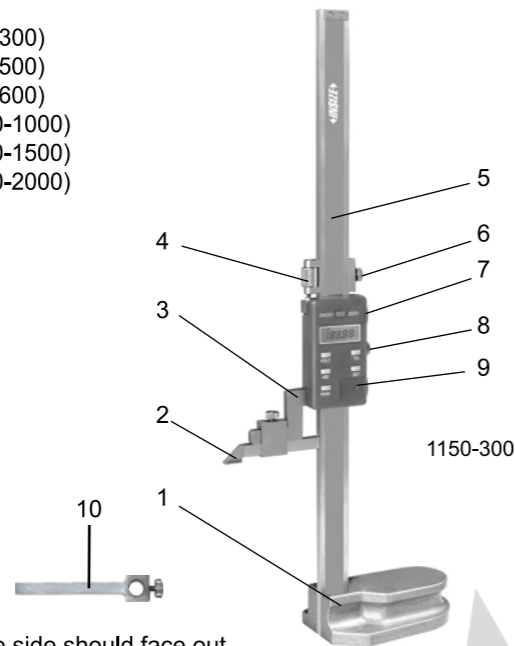
OPERATION INSTRUCTION Light Duty Digital Height Gage

Caution: Prevent liquid from getting into height gage to damage electronics.

Measuring range: 0-300mm/0-12" (1150-300)
0-500mm/0-20" (1150-500)
0-600mm/0-24" (1150-600)
0-1000mm/0-40" (1150-1000)
0-1500mm/0-60" (1150-1500)
0-2000mm/0-80" (1150-2000)

Resolution: 0.01mm/0.0005"
Battery: LR44

1. Base
2. Measuring tip
3. Vernier
4. Fine adjustment wheel
5. Beam
6. Fine adjustment locking screw
7. Output
8. Locking screw
9. Battery cover
10. Clamp for dial indicator



1. Put battery into the gage, the positive side should face out.
2. Clean the bottom of base and the measuring tip, put the height gage on an inspection plate. Install the measuring tip.
3. 'HOLD' button
Press it to keep the reading. Press it again to release.
4. 'mm/in' button
Press it for metric and inch reading conversion.
5. 'ABS' button
This button is for absolute and relative measuring mode conversion. The normal mode is absolute measuring mode. Press it to enter relative measuring mode at any point (this point is called 'relative zero point'), "INC" appears. Press 'ON/OFF ZERO' to set zero. In this mode, the reading is the distance to the relative zero point. Press the button again to return back to absolute measuring mode.
6. 'ON/OFF ZERO' button
Press it to turn on display. Long press it to turn off display. Short press it to get the preset value at absolute measuring mode, or to set zero at relative measuring mode.

7. 'SET' button

Press it to enter set mode, "SET" blinks. Keep pressing it to position the digit, the digit blinks when positioned. Release the button if you want to change the digit. Short press the button to change the digit from 1 to 9. Keep pressing the button to the next digit. After setting, keep pressing it until "SET" blinks, short press it to exit set mode.

At absolute measuring mode, press 'ON/OFF ZERO' to get the preset value at any point.

8. 'TOL' button

Press it to enter tolerance set mode, "▲" appears and "SET" blinks. Set the upper limit value same as the above set mode. After setting the upper limit, keep pressing it until "SET" blinks while "▲" is on the display. Press it, "▼" appears and "SET" blinks, set the lower limit value as above. Press the button to enter tolerance measurement mode.

During tolerance measurement mode, "▲" appears if the reading is larger than the upper limit, "▼" appears if the reading is less than the lower limit, "OK" appears if the reading is within the tolerance.

9. Height gage should be checked regularly to make sure that it is properly zero set. Gently move the vernier until the measuring tip is close to the inspection surface, tight the fine adjustment locking screw and rotate the fine adjustment wheel to let the measuring tip contact the surface.

Press 'ON/OFF ZERO' to set zero. Lift the measuring tip and let it touch the surface again to check if the reading is zero.

10. Use the fine adjustment to let the measuring tip contact the workpiece during measurement. The measuring tip is made of carbide, which can be used as scriber.

11. Replace the measuring tip with clamp for dial indicator to hold the dial indicator.

12. Tighten the locking screw to lock the vernier.

13. One battery will last for one year of continuous use. If there is nothing on display or digits flash, battery voltage is too low, please replace battery. If digits do not change when buttons are pressed or vernier is moved, take out battery and put it back after 1 minute. Remove battery if height gage is not to be used for a long period of time.

14. Working temperature is 0-40°C. Do not put gage near strong magnetic field. Keep gage dry. Prevent liquid from getting into gage to damage electronics. Do not apply voltage on gage like engraving with electric pen.

15. Measuring tip should be carefully protected from being damaged. Do not operate abruptly, drop or strike gage.

CAUTION: Please always hold the base to move or lift the height gage. Do not grip the beam to lift the height gage.

MN-1150

V1