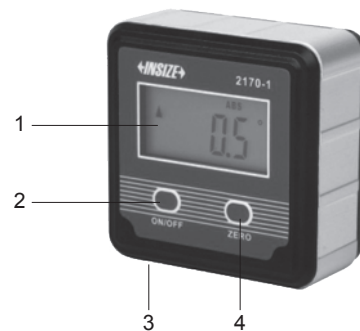
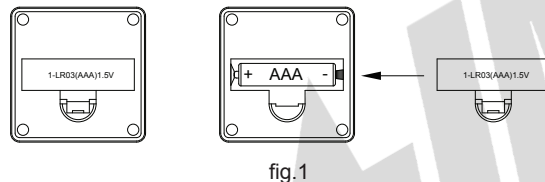


Measuring range: 4X90°
 Resolution: 0.1° (=1.745mm/m)
 Accuracy: 0° and 90°: ±0.1°, other angle: ±0.2°

- 1-LCD display
- 2-"ON/OFF" button
- 3-Magnetic surface
- 4-"ZERO" button



1. Product is used as level and protractor to set zero and measure angle.
2. Magnetic surface is convenient to use on iron surface.
3. Background light turns on automatically on measurement, the light turns off after the instrument hasn't worked for 15s.
4. Install the battery
 Remove the battery cover, insert one AAA battery into battery house, pay attention to the positive and negative as the fig.1, install the battery cover. It is not necessary to set zero again, the zero level is still correct.

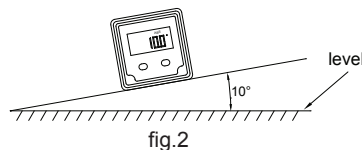


5. Buttons:

- ON/ZERO---When display is on: Short press into absolute mode, the screen displays "ABS", long press to power off.
- When display is off: Short press to power on.
- ZERO---Short press it into relative mode and set the relative zero.

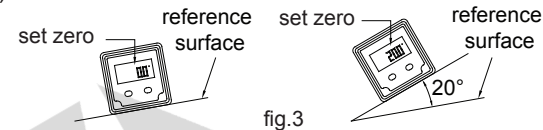
6. measurement a level

Put the instrument on the measured surface, the reading(fig.2) is the angle between the measured surface and the level when "ABS" shows on the screen.

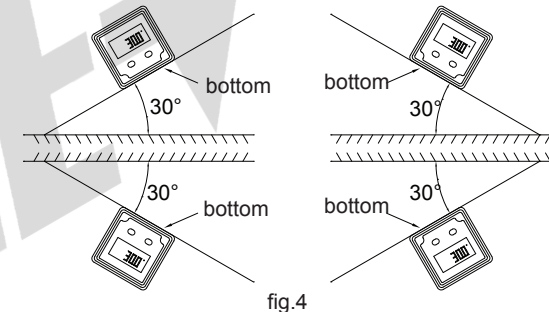


b protractor

Put it on the reference surface, press "ZERO" button, the reading is zero and there is no "ABS" on the display and then into relative mode . Move the instrument to the measured surface, the reading is the angle between the measured surface and reference surface(Fig.3).



7. The instrument can use in 4-orientation, the display flips over when the bottom faces up (Fig.4).



8. Automatic power off in about 5 minutes. Press the "ON/ZERO" to power on.
9. One battery can last for one year use. If the digits do not change when buttons are pressed, take out battery and put it back after 1 minute. If product is not be used for a long period of time, please remove the battery. Otherwise, liquid may leak from the battery and damage product.
10. Working temperature is 0-40°C/32-104°F, relative humidity should not exceed 80%.

Notice: Collision of product which may affect the instrument's level, set zero level as the followings:

When the instrument powers on, press "ON/ZERO" and "ZERO", "-1-" appears on the display, put the instrument on the zero surface, short press "ON/ZERO", "-2-" appears on the display after digital("-1-") blurring. Rotate it 180° on the same place, short press "ON/ZERO", and go back to measure mode after digital("-2-") blurring.

