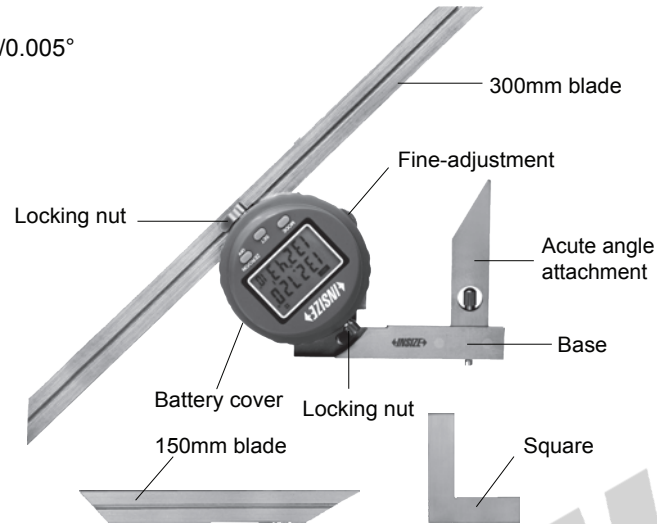
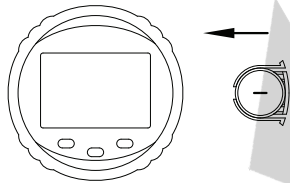


Digital Protractor 2172-360A

Range: 0-360°
Resolution: 10"/0.005°
Accuracy: ±5'

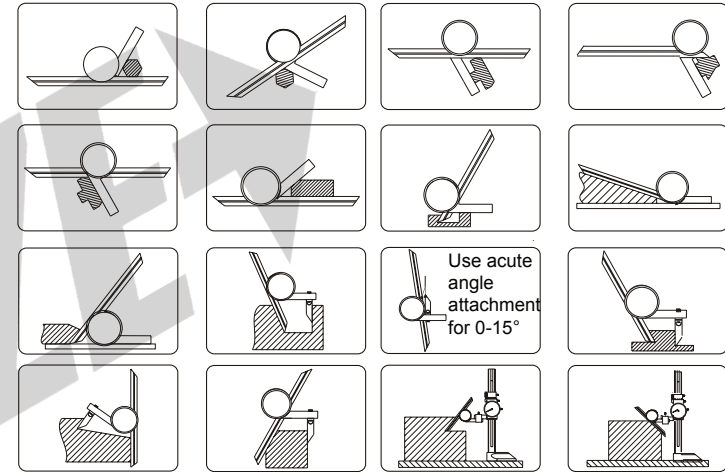


1. Display in degree and degree/minute/second.
2. Install battery: remove battery cover, install CR2032, the negative side should face up.



3. Buttons:
 - MODE --- 4x90°, 2x180° and 360° conversion
 - SET --- short press to convert the measuring direction. Long press (3s) to preset the value, short press MODE to modify the value, and short press ZERO/ON/OFF to digit switch, short press SET to exit
 - ZERO/ON/OFF --- short press to power on. Short press to display the preset value when display powers on. Long press (3s) to power off.
4. Measurement:
 - According to the measured workpiece to select the suitable blade, install blade, adjust the blade in appropriate position.

- Calibration: set preset value 90°, put square to close to blade and base, press "ZERO/ON", set the reading 90°, it's ready to measure, the measuring method as the following diagram.
- Fine-adjustment is used to fine-adjust the angle, locking nut is used to fix the angle
- Recalibration is required if changing the blade.



5. Notice: the product can't be used as scriber or rule.



6. Do not use the product in magnetic field.
7. Working temperature is 0-40°C/32-104°F, relative humidity should not exceed 80%.
8. If the digits do not change when buttons are pressed, take out battery and put it back after one minute.
9. Optional accessory: RS232 data output cable (code 7305-SPC1A)
10. One battery can last for one year use. If the protractor is not be used for a long period of time, please remove the battery and take rust preventive oil.