

1-Scriber

2-Level

3-Square head

4-Square head locking screw

5-Blade

6-Center head

7-Center head locking screw

8-Protractor head

9-Protractor head locking screw

10-Graduated disk

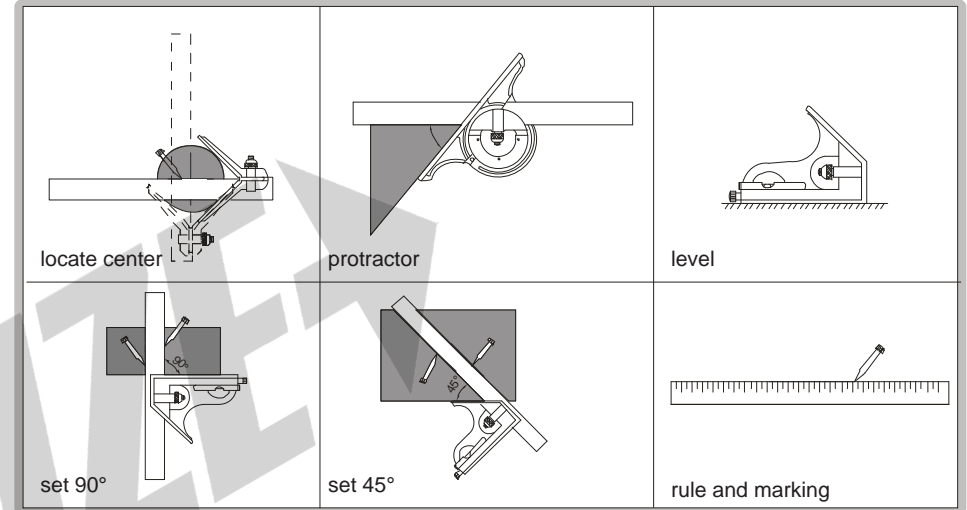
11-Locking screw

1. Combination square set applies to measure angle, length and height; locate center of round workpieces; set the blade at 90° or 45° to an edge of a workpiece; use scriber to mark.

2. Combination mode:

- Combine blade and protractor head to measure angle or set angle. Protractor head range: 0-180°, accuracy:  $\pm 7\text{min}$
- Combine blade and center head to locate center of round workpieces. Center head accuracy:  $\pm 0.15\text{mm}/\pm 0.006\text{''}$
- Combine blade and square head to set 90° or 45°. 90° accuracy:  $\pm 8\text{min}$ , 45° accuracy:  $\pm 10\text{min}$
- Use square head to judge level
- Use blade to measure length and height. Blade range: 300mm/12", Graduation: 1/32" and 0.5mm on front face, 1/64" and 1mm on back face(2278-180), 1/8" and 1/16" on front face, 1/32" and 1/64" on back face(2278-180E)
- Rotate scriber out of square head, use scriber to mark

3. Measuring purpose:



Notice: Combine blade and protractor head to measure angle with loosening the locking screw on the back. Tighten the locking screw after setting angle.

4. Installation(combinate blade and square head as a example):

- Before installation, clean the measuring faces and the slot of blade with soft cloth
- Insert square head along the slot of blade, ensure internal hook of square head to get stuck the slot of blade, tighten square head locking screw after the square head is in the desired position
- During measurement, loosen the square head locking screw to adjust the square head position

Install center head or protractor head as the same way.

5. Measuring faces should be carefully protected from being scratched or damaged. Combination square set should be oiled to prevent rust after use.