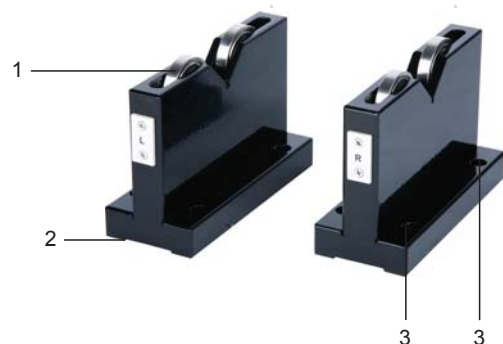


Code	Size(LxWxH)	Diameter of bearing (ØD)	Range of shafts (Ød)	Parallelism of bearings to bottom (when two V-blocks are closed)	Load capacity
6888-1	150x60x100mm	42mm	25 - 70mm	12µm	500kg
6888-2	150x80x100mm	47mm	5 - 55mm	12µm	1000kg
6888-3	230x100x150mm	72mm	70 - 200mm	12µm	1000kg



- 1-Bearing
- 2-Bottom face
- 3-Hole

1. Two V-blocks is for a set. Workpiece rotates along with bearing. V-block set is used for heavy workpiece.

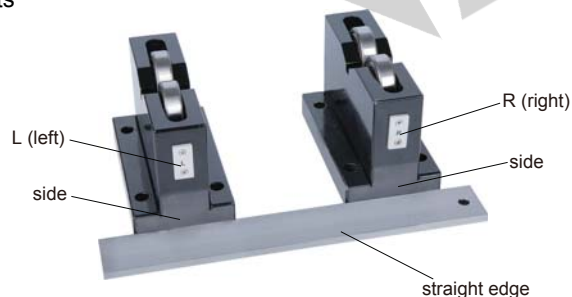
2. Measurement:

--- Before measurement, clean bearings' working faces and workpiece bottom faces with soft cloth

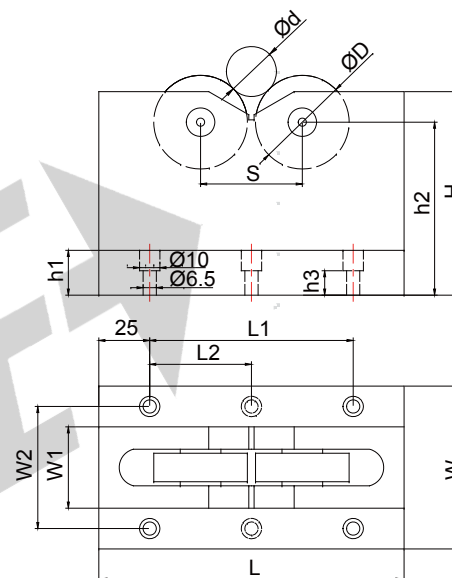
--- Put two V-blocks at left and right according to the indication on the label

--- Use a straight edge to align the sides of two V-blocks

--- Fix V-blocks with bolts



3. Product dimensions:



Code	W1	W2	h1	h2	h3	L1	L2	S
6888-1	22	44	20	85	12	100	-	60
6888-2	40	60	22	85	12	100	-	50
6888-3	60	80	30	124	20	180	90	120

4. Product should be oiled to prevent rust after use.