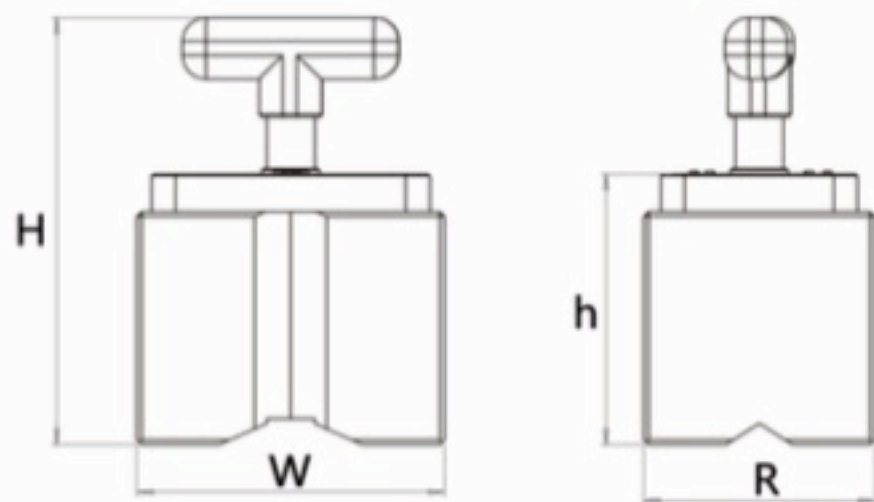


SQUARE WELDING MAGNET

MWC1

Application: This square magnetic clamp is suitable to fix iron plate, tube, stick, wood, angle steel and channel steel etc, to prevent them from moving.

Features: 1. The bottom of the clamp and both four sides have magnetics, six sides machined at the angle of 90°.
2. Controlled by a 180° On/Off switch, simple operation and fast set up anywhere on ferrous metal.



型号	规格 Dimension (mm)				净重 (kg)	拉脱力 (kg)
Model	H	h	W	R	Net Weight	Pull Off Force
MWC1-90	76	44	60	48	0.7	90
MWC1-185	90	57	64	48	1.0	185

