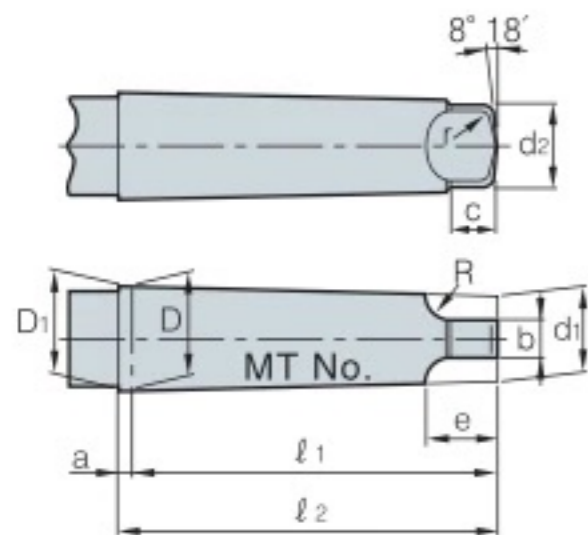


Morse taper (Tang type)



| MTNo. | Taper | Taper angle (α) | D | a | D_1 | d_1 | l_1 | l_2 | d_2 | b | c | e | R | r |
|-------|--------------------|--------------------------|--------|-----|--------|--------|-------|-------|-------|------|-----|------|----|-----|
| 0 | $\frac{1}{19.212}$ | $1^\circ 29' 27''$ | 9.045 | 3 | 9.201 | 6.104 | 56.5 | 59.5 | 6.0 | 3.9 | 6.5 | 10.5 | 4 | 1 |
| 1 | $\frac{1}{20.047}$ | $1^\circ 25' 43''$ | 12.065 | 3.5 | 12.240 | 8.972 | 62.0 | 65.5 | 8.7 | 5.2 | 8.5 | 13.5 | 5 | 1.2 |
| 2 | $\frac{1}{20.020}$ | $1^\circ 25' 50''$ | 17.780 | 5 | 18.030 | 14.034 | 75.0 | 80.0 | 13.5 | 6.3 | 10 | 16 | 6 | 1.6 |
| 3 | $\frac{1}{19.922}$ | $1^\circ 26' 16''$ | 23.825 | 5 | 24.076 | 19.107 | 94.0 | 99.0 | 18.5 | 7.9 | 13 | 20 | 7 | 2 |
| 4 | $\frac{1}{19.254}$ | $1^\circ 29' 15''$ | 31.267 | 6.5 | 31.605 | 25.164 | 117.5 | 124.0 | 24.5 | 11.9 | 16 | 24 | 8 | 2.5 |
| 5 | $\frac{1}{19.002}$ | $1^\circ 30' 26''$ | 44.399 | 6.5 | 47.41 | 36.531 | 149.5 | 156.0 | 35.7 | 15.9 | 19 | 29 | 10 | 3 |
| 6 | $\frac{1}{19.180}$ | $1^\circ 29' 36''$ | 63.348 | 8 | 63.765 | 52.399 | 210.0 | 218.0 | 51.0 | 19.0 | 27 | 40 | 13 | 4 |
| 7 | $\frac{1}{19.231}$ | $1^\circ 29' 22''$ | 83.058 | 10 | 83.578 | 68.186 | 286.0 | 296.0 | 66.8 | 28.6 | 35 | 54 | 19 | 5 |