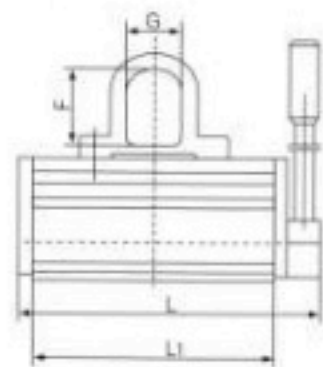
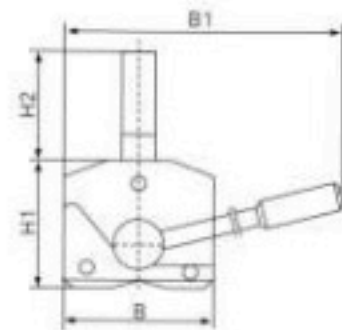


MANUAL PERMANENT MAGNETIC LIFTER PML

Application : Widely used in machining and mould processing industry.

Features :

1. Adopt high quality NdFeB magnetic material, magnetic with high concentration and permanent constant.
2. The safe load factor 3.5 times. Even if the air gap between the work piece and lifter is big, can also guarantee the best working status.
3. Move the handle to change the magnetic force "On" and "OFF"
4. V-shaped groove at the bottom for holding corresponding cylindrical objects.
5. New structure design, with anti-collision handle, this permanent magnetic lifter is more durable.



Model	Steel Plate			Round Plate				Dimension								Net Weight
	最大吊重(kg) Max Load	最小厚度(mm) Min Thickness	最大长度(mm) Max Length	最大吊重(kg) Max Load	最大直径(mm) Max Diameter	最小厚度(mm) Min Thickness	最大长度(mm) Max Length	L	L1	B	B1	H1	H2	F	G	
PML-100A	100	10	1000	50	Φ100	10	1000	135	110	60	150	65	46	32	32	3.5
PML-300A	200	20	1500	150	Φ300	12	1500	203	165	87	223	89	68	45	38	10
PML-600A	600	30	2000	300	Φ400	20	2000	266	226	112	287	109	86	58	45	21
PML-1000A	1000	40	3000	500	Φ450	28	3000	330	290	148	364	125	95	60	52	40
PML-1500A	1500	50	3000	750	Φ500	34	3000	385	330	178	447	145	118	70	65	65
PML-2000A	2000	60	3000	1000	Φ600	40	3000	470	420	178	487	145	118	70	65	83