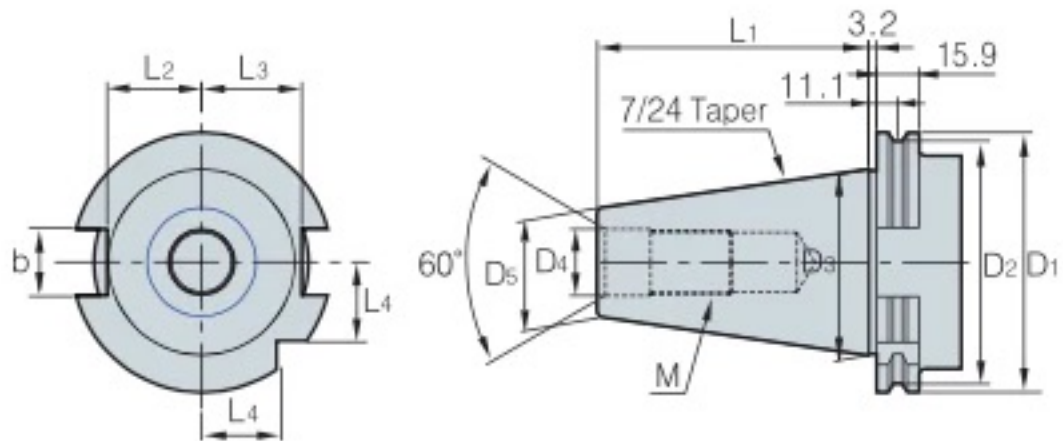


DIN 69871



Shank No	D ₁	D ₂	D ₃	D ₄	D ₅	L ₁	L ₂	L ₃	L	b	M
30	50.0	44.3	31.75	13	17.8	47.8	16.4	19.0	33.5	16.0	M12x1.75
40	63.5	56.2	44.45	17	24.5	68.4	22.8	25.0	42.5	16.1	M16x2
45	82.5	57.2	57.15	21	33.0	82.7	29.1	31.3	52.5	19.3	M20x2.5
50	97.5	91.2	68.85	25	40.1	101.7	35.5	37.7	61.5	25.7	M24x3

(mm)