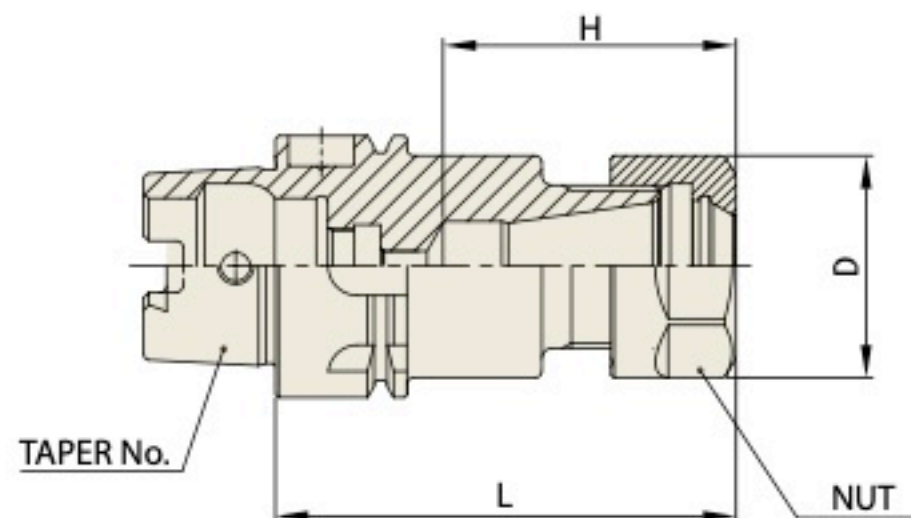


ER COLLET CHUCK

DIN 69893/
ISO 12164-1-HSK FORM A

FRÄSERSPANNFUTTER - ER
MANDRIN À PINCES - ER
MANDRINO PORTA PINZE - ER
PORTAPINZAS - ER



DIN
69893-
HSK

6.3G

15,000
RPM

AD



ER Collet
Refer to page 103-109



ER nut, Sealing disk and Spanner
Refer to page 110-115

◆ Standard Type

Unit : mm

TAPER No.	MODEL No.	EDP No.	CLAMPING RANGE	L	D	H	NUT / COLLET	WEIGHT (kg)
32A	HSK32A-ER11-50	P2771908	0.5 - 7.0	50	19	28.6	ER11	0.81
	HSK32A-ER16-60	P2771909	0.5 - 10.0	60	28	36.6	ER16	0.21
40A	HSK40A-ER11-60	P2771901	0.5 - 7.0	60	19	28.6	ER11	0.40
	HSK40A-ER16-60	P2771902	0.5 - 10.0	60	28	36.6	ER16	0.50
	HSK40A-ER20-70	P2771903	0.5 - 13.0	70	34	44.5	ER20	0.80



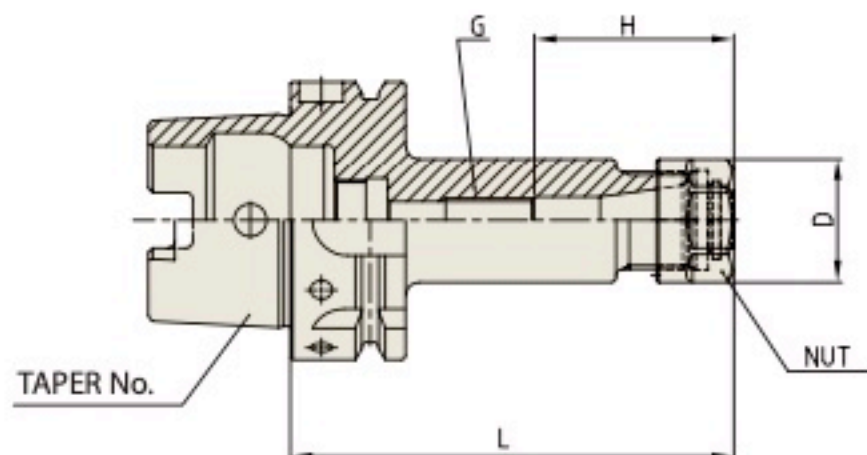
ER COLLET CHUCK

ER

ER COLLET CHUCK

FRÄSERSPANNFUTTER - ER
MANDRIN À PINCES - ER
MANDRINO PORTA PINZE - ER
PORTAPINZAS - ER

DIN 69893/
ISO 12164-1-HSK FORM A



ER Collet
Refer to page 103-109



ER nut, Sealing disk and Spanner
Refer to page 110-115

◆ Standard Type

Unit : mm

TAPER No.	MODEL No.	EDP No.	CLAMPING RANGE	L	D	G	H	NUT / COLLET	WEIGHT (kg)
50A	HSK50A-ER16-100	P2771927	0.5 - 10.0	100	28	M12	45	ER16	0.70
	HSK50A-ER20-100	P2771928	0.5 - 13.0	100	35	M12	50	ER20	0.90
	HSK50A-ER25-100	P2771929	1.0 - 16.0	100	42	M12	50	ER25	1.20
	HSK50A-ER32-100	P2771930	1.0 - 20.0	100	50	M12	47	ER32	1.50
63A	HSK63A-ER16-100	P2564001	0.5 - 10.0	100	28	M12	45	ER16	1.20
	HSK63A-ER20-100	P2564005	0.5 - 13.0	100	35	M12	50	ER20	1.50
	HSK63A-ER25-100	P2564002	1.0 - 16.0	100	42	M12	57	ER25	1.80
	HSK63A-ER32-100	P2564003	1.0 - 20.0	100	50	M12	47	ER32	2.00
	HSK63A-ER40-120	P2564004	2.0 - 30.0	120	63	M12	69	ER40	2.30
80A	HSK80A-ER16-100	P2771932	0.5 - 10.0	100	28	M12	45	ER16	1.77
	HSK80A-ER25-100	P2771933	1.0 - 16.0	100	42	M12	47	ER20	1.79
	HSK80A-ER32-100	P2771934	1.0 - 20.0	100	50	M12	53	ER25	1.95
100A	HSK100A-ER16-100	P2564011	0.5 - 10.0	100	28	M12	45	ER16	2.60
	HSK100A-ER20-100	P2564015	0.5 - 13.0	100	35	M12	50	ER20	2.70
	HSK100A-ER25-100	P2564012	1.0 - 16.0	100	42	M12	57	ER25	2.90
	HSK100A-ER32-100	P2564013	1.0 - 20.0	100	50	M12	56.5	ER32	3.10
	HSK100A-ER40-120	P2564014	2.0 - 30.0	120	63	M12	69	ER40	3.30