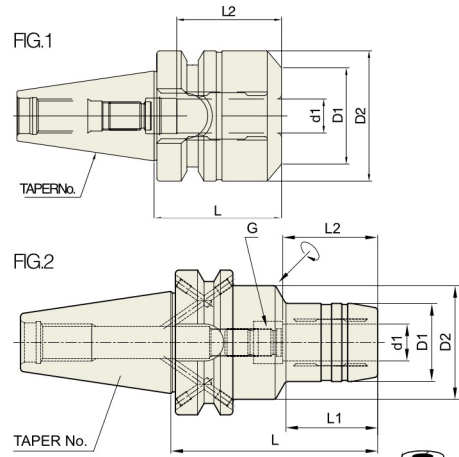


HYDRAULIC CHUCK (SLIM)

HYDRAULIK SPANNFUTTER(SCHLANK)
 MANDRIN HYDRAULIQUE(MINCE)
 MANDRINI IDRAULICI (SOTTILE)
 PORTAHERRAMIENTASHIDRAULICO (DELGADO)

JISB6339/
 MAS403-BT



Collet
 Referto page 43-46



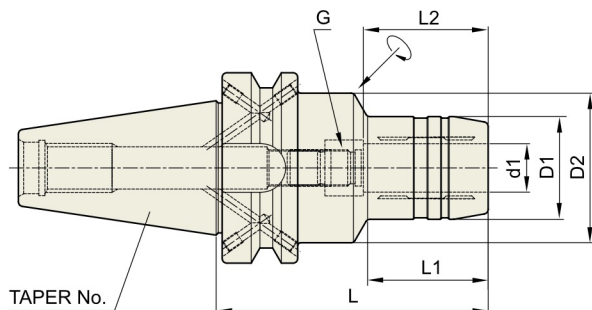
Unit : mm

TAPERNo.	MODELNo.	EDPNo.	d1	D1	D2	L	L1	L2	G	FIG.	WEIGHT (kg)
30	BT30-HC6-45	P2770643A	6	46	46	45	-	27	M5x0.8	1	1.50
	BT30-HC8-45	P2770644A	8	46	46	45	-	27	M6x1.0	1	1.50
	BT30-HC10-45	P2770645A	10	46	46	45	-	32	M8x1.0	1	1.50
	BT30-HC12-45	P2770646A	12	46	46	45	-	37	M10x1.0	1	1.50
	BT30-HC16-45	P2770647A	16	46	46	45	-	42	M10x1.0	1	1.50
	BT30-HC20-60	P2770648A	20	53	53	60	-	42	M10x1.0	1	2.10
	BT30-HC6-70	P2770604A	6	26	44.5	70	29.5	27	M5x0.8	2	0.65
	BT30-HC8-70	P2770605A	8	28	44.5	70	30	27	M6x1.0	2	0.65
	BT30-HC10-75	P2770606A	10	30	44.5	75	31	32	M8x1.0	2	0.73
	BT30-HC12-85	P2770607A	12	32	45	85	45	37	M10x1.0	2	0.80
	BT30-HC14-85	P2770608A	14	34	45	85	45	37	M10x1.0	2	0.80
	BT30-HC16-90	P2770601A	16	38	45	90	50	42	M10x1.0	2	0.90
	BT30-HC18-90	P2770609A	18	40	45	90	50	42	M10x1.0	2	0.90
BT30-HC20-90	P2770602A	20	42	45	90	50	42	M6x1.0	2	0.90	
40	BT40AD/B-HC6-90	P2554003	6	26	44.5	90	43	27	M5x0.8	2	1.30
	BT40AD/B-HC8-90	P2554021	8	28	44.5	90	44.5	27	M6x1.0	2	1.30
	BT40AD/B-HC10-90	P2554005	10	30	44.5	90	44.5	32	M8x1.0	2	1.35
	BT40AD/B-HC12-90	P2554002	12	32	44.5	90	44.5	37	M10x1.0	2	1.35
	BT40AD/B-HC14-90	P2770610	14	34	44.5	90	44.5	37	M10x1.0	2	1.35
	BT40AD/B-HC16-90	P2554006	16	38	44.5	90	47.5	42	M12x1.0	2	1.40
	BT40AD/B-HC18-90	P2770611	18	40	44.5	90	47.5	42	M12x1.0	2	1.45
	BT40AD/B-HC20-90	P2554007	20	42	44.5	90	47.5	42	M16x1.0	2	1.50
	BT40AD/B-HC25-100	P2770641	25	50	60	100	47.5	48	M16x1.0	2	1.70
	BT40AD/B-HC32-105	P2770612	32	60	-	105	-	55	M16x1.0	2	2.10

HYDRAULIC CHUCK (SLIM)

JISB6339/
MAS403-BT

HYDRAULIK SPANNFUTTER(SCHLANK)
MANDRIN HYDRAULIQUE(MINCE)
MANDRINI IDRAULICI (SOTTILE)
PORTAHERRAMIENTASHIDRAULICO (DELGADO)



 Collet
Refero page 43-46

Unit : mm

TAPERNo.	MODELNo.	EDPNo.	d1	D1	D2	L	L1	L2	G	WEIGHT (kg)
50	BT50AD/B-HC6-90	P2770613	6	26	44.5	90	34	27	M5x0.8	3.75
	BT50AD/B-HC6-120	P2770614	6	26	44.5	120	34	27	M5x0.8	4.10
	BT50AD/B-HC6-150	P2770615	6	26	44.5	150	34	27	M5x0.8	4.70
	BT50AD/B-HC8-90	P2770616	8	28	44.5	90	34	27	M6x1.0	3.75
	BT50AD/B-HC8-120	P2770617	8	28	44.5	120	34	27	M6x1.0	4.10
	BT50AD/B-HC8-150	P2770618	8	28	44.5	150	34	27	M6x1.0	4.10
	BT50AD/B-HC10-90	P2770619	10	30	44.5	90	34	32	M8x1.0	3.90
	BT50AD/B-HC10-120	P2770620	10	30	44.5	120	34	32	M8x1.0	4.30
	BT50AD/B-HC10-150	P2770621	10	30	44.5	150	34	32	M8x1.0	4.90
	BT50AD/B-HC12-90	P2770622	12	32	44.5	90	34	37	M10x1.0	3.90
	BT50AD/B-HC12-120	P2770623	12	32	44.5	120	34	37	M10x1.0	4.30
	BT50AD/B-HC12-150	P2770624	12	32	44.5	150	34	37	M10x1.0	4.90
	BT50AD/B-HC14-90	P2770625	14	34	44.5	90	34	37	M10x1.0	3.90
	BT50AD/B-HC14-120	P2770626	14	34	44.5	120	34	37	M10x1.0	4.30
	BT50AD/B-HC14-150	P2770627	14	34	44.5	150	34	37	M10x1.0	4.90
	BT50AD/B-HC16-90	P2770628	16	38	44.5	90	34	42	M12x1.0	4.00
	BT50AD/B-HC16-120	P2770629	16	38	44.5	120	34	42	M12x1.0	4.40
	BT50AD/B-HC16-150	P2770630	16	38	44.5	150	34	42	M12x1.0	5.00
	BT50AD/B-HC18-90	P2770631	18	40	44.5	90	34	42	M12x1.0	4.00
	BT50AD/B-HC18-120	P2770632	18	40	44.5	120	34	42	M12x1.0	4.40
	BT50AD/B-HC18-150	P2770633	18	40	44.5	150	34	42	M12x1.0	5.00
	BT50AD/B-HC20-90	P2770634	20	42	44.5	90	34	42	M16x1.0	4.00
	BT50AD/B-HC20-120	P2770635	20	42	44.5	120	34	42	M16x1.0	4.40
	BT50AD/B-HC20-150	P2770636	20	42	44.5	150	34	42	M16x1.0	5.00
	BT50AD/B-HC25-105	P2770637	25	57	63	105	52	48	M16x1.0	4.40
	BT50AD/B-HC25-150	P2770638	25	57	63	150	97	48	M16x1.0	5.60
	BT50AD/B-HC32-115	P2770639	32	64	75	115	62	55	M16x1.0	4.70
	BT50AD/B-HC32-150	P2770640	32	64	75	150	97	55	M16x1.0	6.00