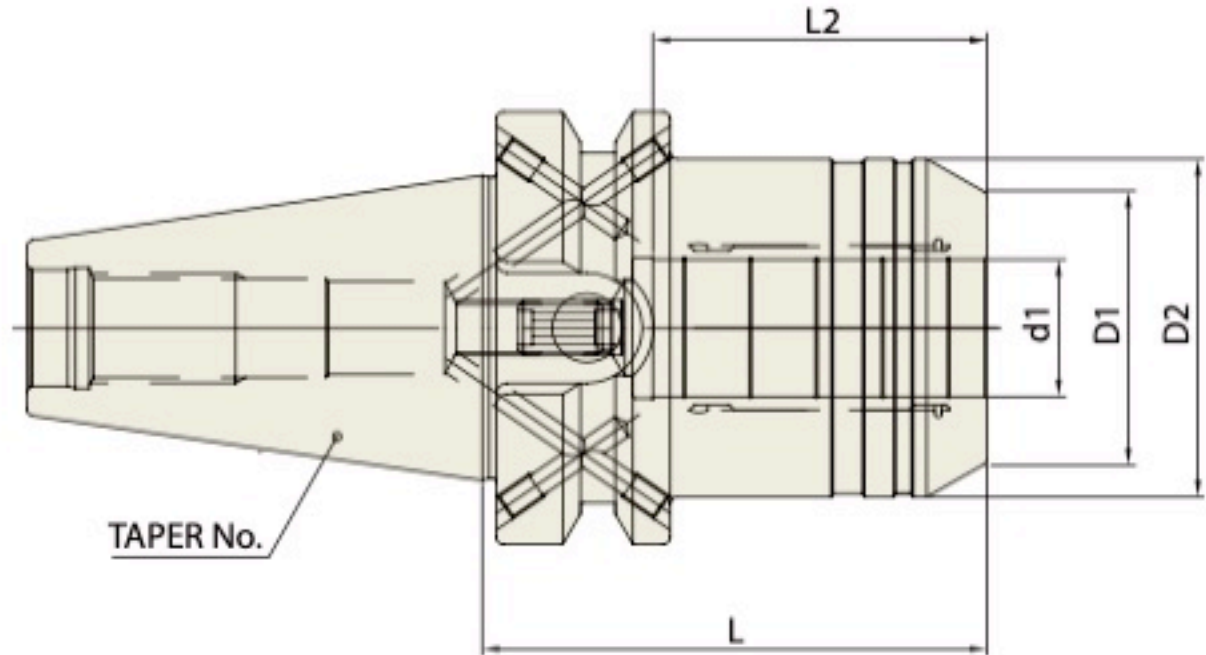


# HYDRAULIC CHUCK (Power E Hydro)

JIS B6339/  
MAS 403-BT

HYDRAULIK SPANNFUTTER (POWER E HYDRO)  
MANDRIN HYDRAULIQUE (POWER E HYDRO)  
MANDRINI IDRAULICI (POWER E HYDRO)  
PORTAHERRAMIENTAS HIDRAULICO (POWER E HYDRO)



Collet  
Refer to page 43-46

Unit : mm

TAPER No.	MODEL No.	EDP No.	d1	D1	D2	L	L2	G	WEIGHT (kg)
30	BT30AD/B-HC12P-69	P2776610P	12	32	42	69	41	M8x1.0	0.80
	BT30AD/B-HC20P-90	P2776611P	20	38	42	90	48	M8x1.0	0.90
40	BT40AD/B-HC12P-58	P2776601P	12	32	42	58	41	M8x1.0	1.10
	BT40AD/B-HC20P-72.5	P2554001P	20	38	49.25	72.5	48	M8x1.0	1.40
50	BT50AD/B-HC20P-83.5	P2755010P	20	38	49.25	83.5	48	M8x1.0	3.90
	BT50AD/B-HC32P-90	P2558001P	32	58.5	72	90	57	M8x1.0	4.60

► CAT(ANSI B5.50) taper and Inch type products are available.