

# ▶ Horizontal toggle clamp

## Design and use 299300:

- like 299100
- reverse clamping and operating arms
- very low-built
- horizontal toggle clamp, with open holding arm and horizontal base

## Note:

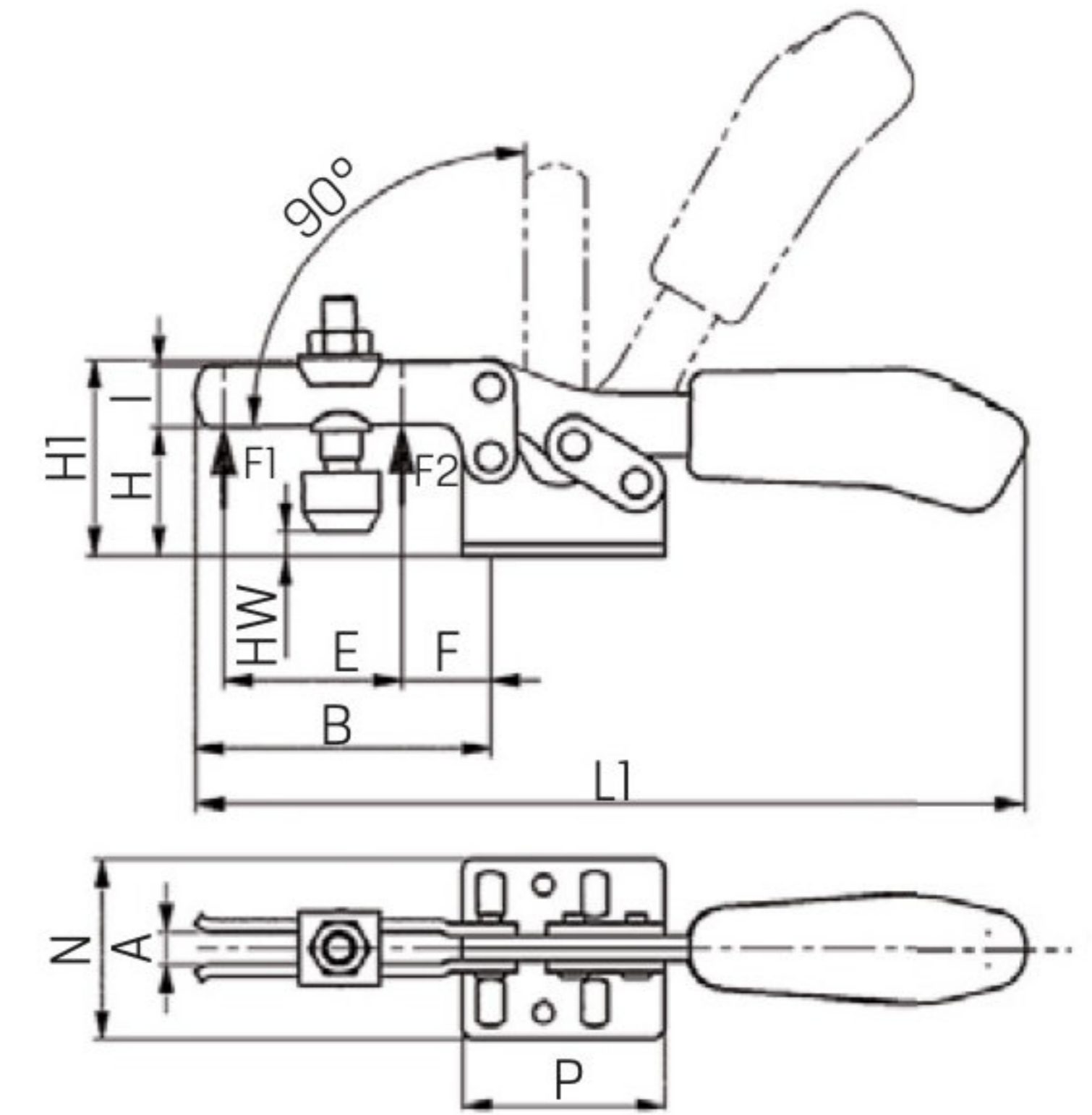
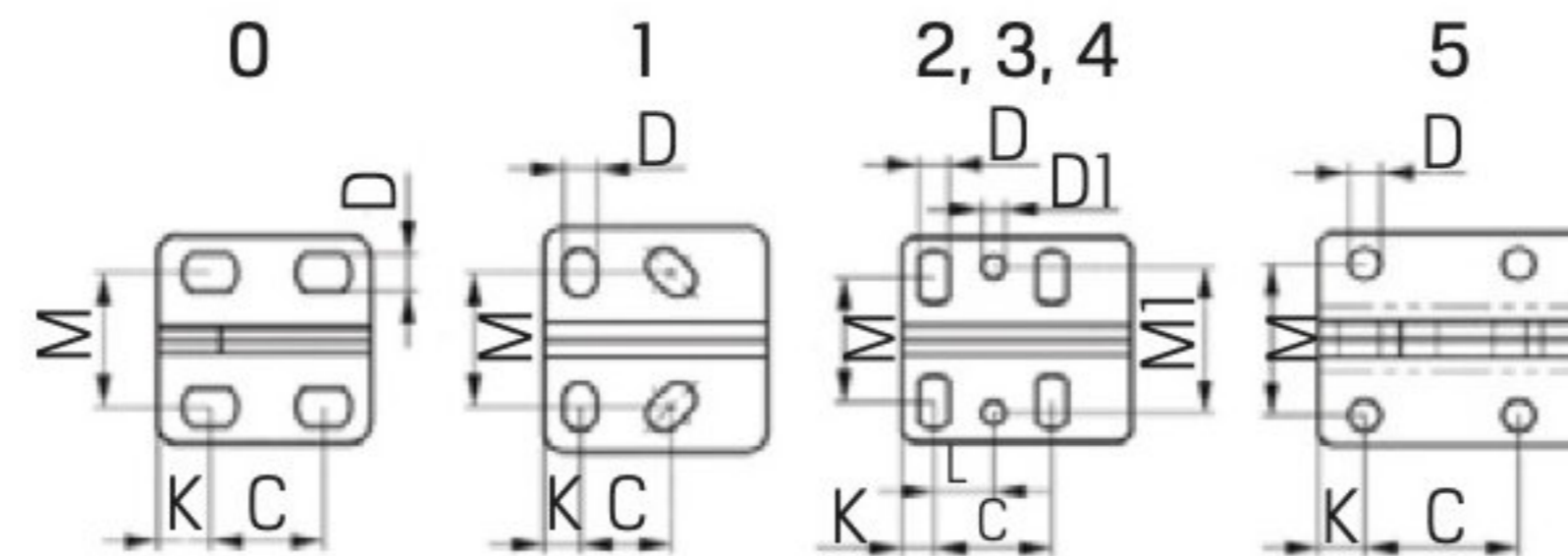
Also available in stainless steel

## Delivery:

Incl. pressure spindle

## Design 299301:

- with base mounting
- twist-proof sockets (except size 1)
- rivets made of stainless steel
- galvanised and passivated
- ergonomic, media resistant plastic handle
- safety spanner
- long arm guidance (sizes 1-4)
- bend-shaped lever arm (size 0)
- horizontal toggle clamp, with closed holding arm



Size		0	1	2	3	4	5
<b>299300</b>		●	●	●	●	●	●
<b>299301</b>		●	●	●	●	●	-
Hole distance <b>C × M</b> mm	299300	15,6 - 11,5 × 16	14,5 - 13 × 18 - 21,5	26 × 19,5 - 29,5	25,7 × 22 - 31,8	41 × 29 - 43	41,5 × 41,5
	299301	11,1 × 16	13,5 × 19	26 × 28	26 × 31	41,2 × 43	-
Bore- <b>D</b> mm	299300	4,6	5,2	5,6	6,5	8,5	8,5
	299301	6,8	5,2	5,5	6,6	8,7	-
Clamping height <b>H</b> mm	299300	14,5	19	25	32	45	46
	299301	7,4	19	1.000	34	45	-
Tensioning force <b>F1</b> N	299300	250	800	1.000	1.800	2.000	3.000
	299301	-	-	-	-	-	-
Tensioning force <b>F2</b> N	299300	400	1.100	1.200	2.500	3.000	5.000
	299301	380	700	900	2.200	3.400	-
Total height <b>H1</b> mm	299300	23	30	45	48,5	75	73
	299301	17	38,2	52,6	68,5	90	-
Total length <b>L1</b> mm	299300	79	120	162	206	287	321
	299301	68	105	162	189	269	-
Clamping screw	M4 × 25	M4 × 25	M5 × 30	M6 × 35	M8 × 45	M8 × 65	M8 × 65
P × N mm	24 × 23,8	24 × 23,8	25 × 27	38 × 40	42 × 47	59 × 59	-



299300



299301