



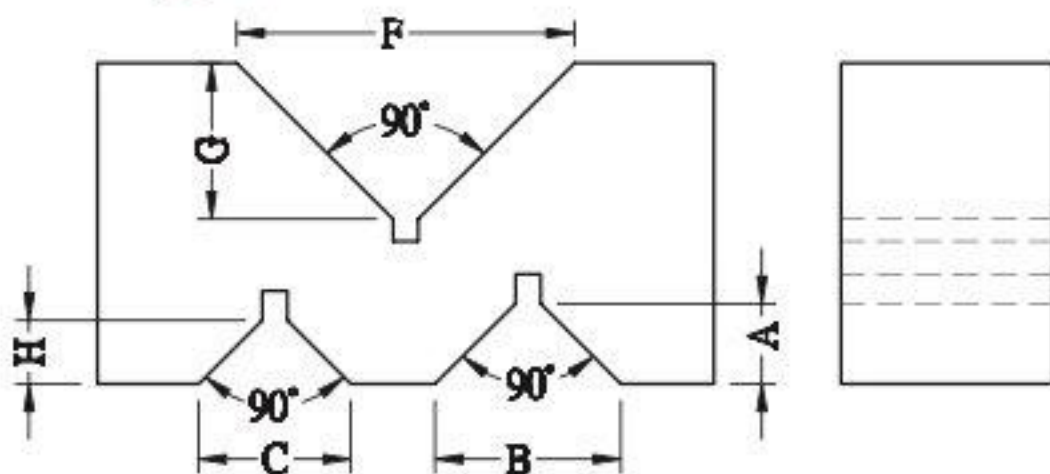
# Precision V Block



**VERTEX**<sup>®</sup>  
PAIRS GROUNDED



Material : Steel  
Hardness : HRC 52  
Accuracy : 0.02 mm / 100 mm  
● For Production  
✘ Not for LAB



Unit:mm

ORDER NO.	A	B	C	F	G	H	L X W X H	WEIGHT (KGS)	CODE NO.
V-5VA	14	35	40	63	29	19	124X35X61	2.8	2005-017
V-3VA-S	10	22	18	40	18	8	72.8X25X36.7	0.88	2005-018
V-4VA-S	15	32	18	50	24	8	100X36X60	2.9	2005-019
V-5VA-S	16	35	22	65	31.5	9.5	124.6X49.8X79.8	6.8	2005-020